

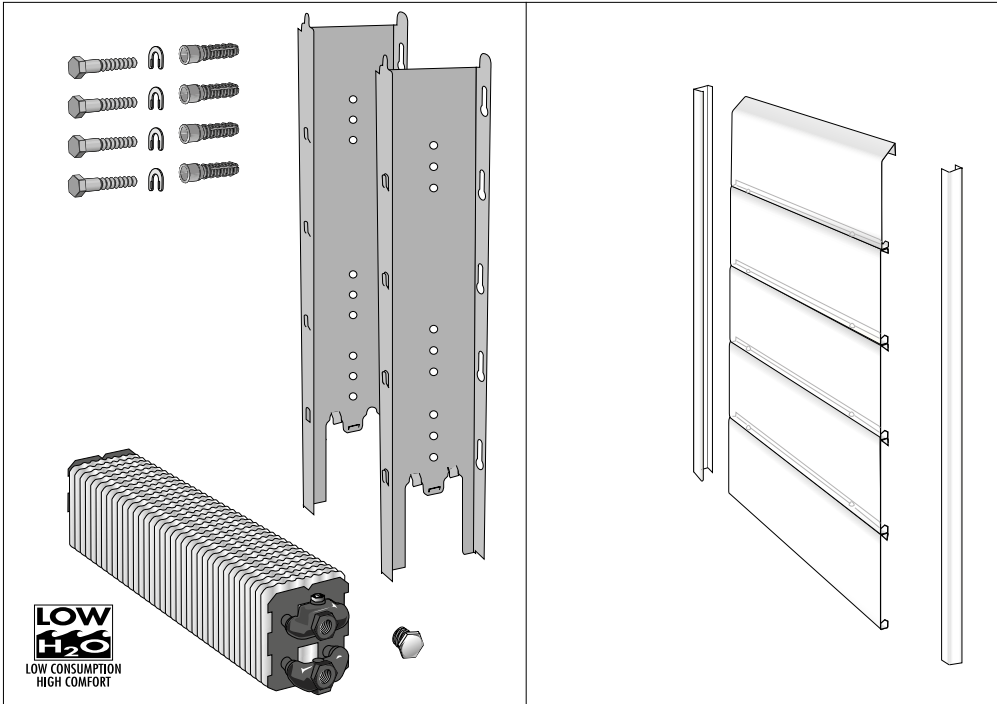


# Build-in wall

jaga

*Energy*  
**SAVERS**  
**LOW-H<sub>2</sub>O**

## Installation manual wall mounted cabinet

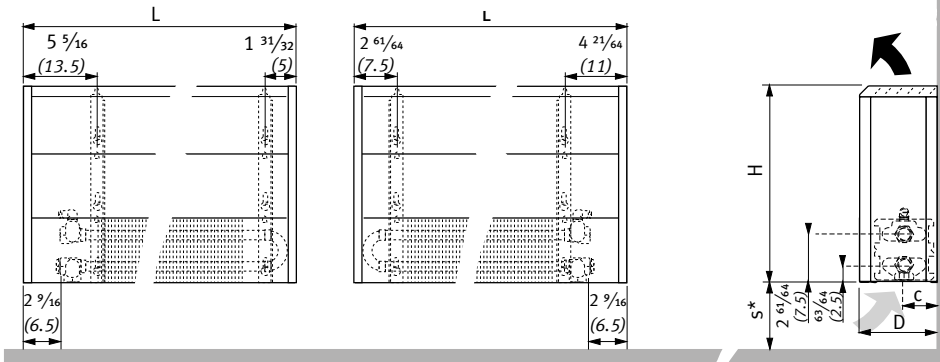


**LOW**  
**H<sub>2</sub>O**  
LOW CONSUMPTION  
HIGH COMFORT

### DIMENSIONS

#### Left Hand Connection

#### Right Hand Connection



L		H	
15.5"	(040)	8"	(020)
19.5"	(050)	12"	(030)
23.5"	(060)	15.5"	(040)
27.5"	(070)	19.5"	(050)
31.5"	(080)	23.5"	(060)
35.5"	(090)	27.5"	(070)
39.5"	(100)	35.5"	(090)
43.5"	(110)		
47"	(120)		
55"	(140)		
63"	(160)		
71"	(180)		
78.5"	(200)		
86.5"	(220)		
94.5"	(240)		
102.5"	(260)		
110"	(280)		
118"	(300)		

DIMENSIONS			
Type	D	c	h min*
10-11	4 41/64 (11.8)	2 3/32 (5.3)	3 15/16 (10)
15-16	6 39/64 (16.8)	3 5/64 (7.8)	4 23/32 (12)
20-21	8 37/64 (21.8)	4 1/16 (10.3)	5 29/32 (15)

\* Smaller dimensions can decrease output.

