

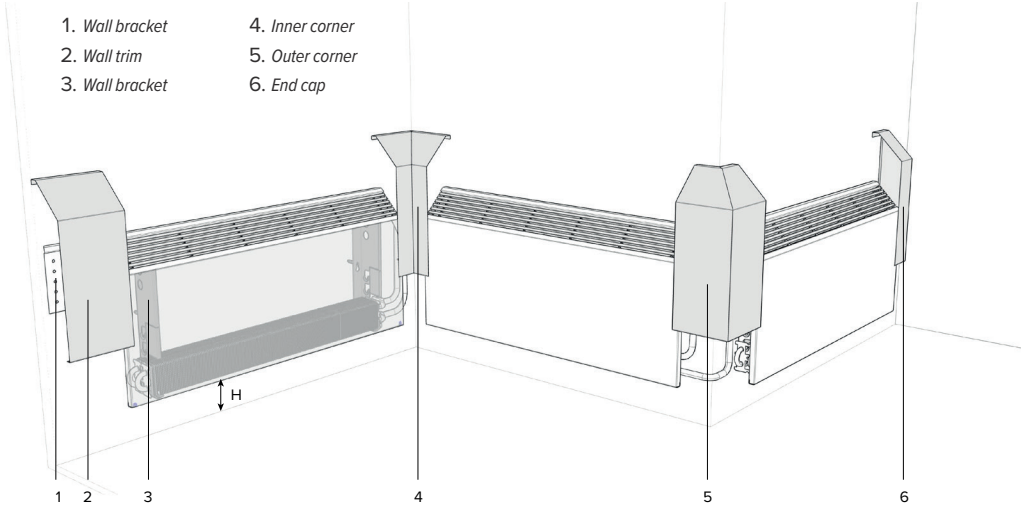
**jaga** CLIMATE DESIGNERS

# **Continua / Continuo**

INSTALLATION MANUAL

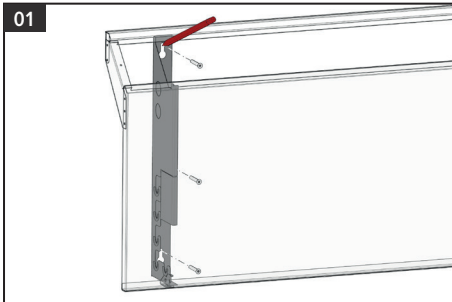
# 1. OVERVIEW

- 1. Wall bracket
- 2. Wall trim
- 3. Wall bracket
- 4. Inner corner
- 5. Outer corner
- 6. End cap



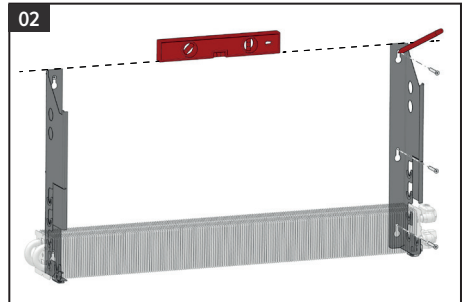
H: Min. 8 inches

# 2. INSTALLATION

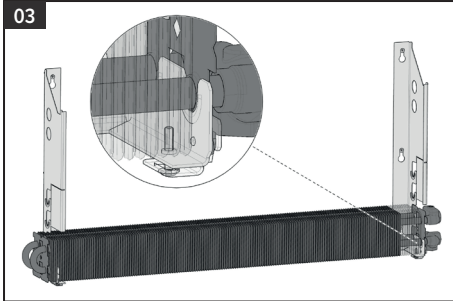


- 01 1. Mark and drill the mounting holes of the first wall bracket. Leave sufficient space for installation of the coil.
2. Install the wall bracket. Make sure to reinforce the wall whenever installed on drywall and the position is not on a wall support. Select the right screws in function of the type of wall.

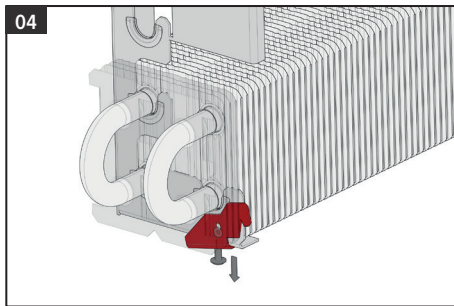
**⚠** Make sure that the wall is strong enough to hold the unit.



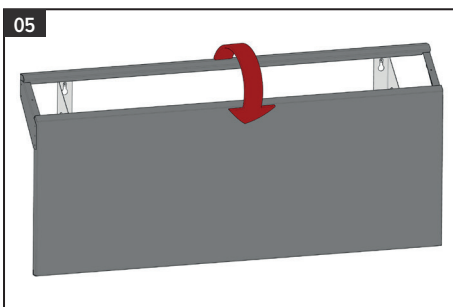
- 02 1. Mark and drill the mounting holes for the second wall bracket.  
**⚠** Use the coil to verify the distance between both wall brackets.
2. Install the second wall bracket.



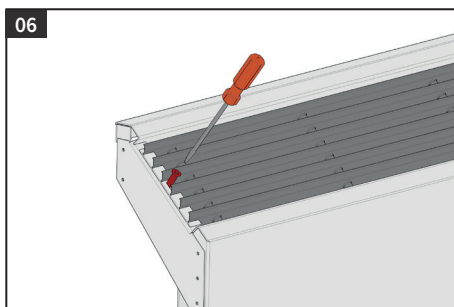
03 Install the coil on both wall brackets.



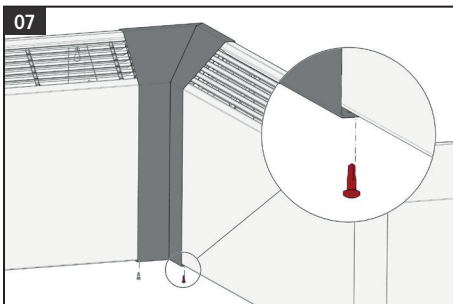
04 Release the screw in the wall bracket to open the lock.



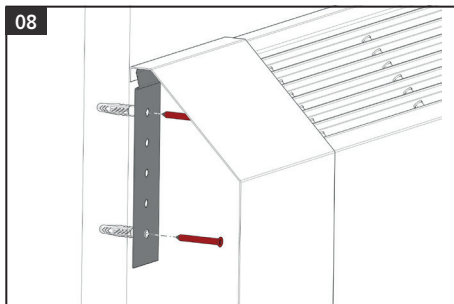
05 1. Position the enclosure: lift the cover over the wall brackets, fix the enclosure by pushing down the lock on the brackets..  
2. Tighten the screw on the wall bracket to lock the enclosure in it's position.



06 Install the grill: secure with two screws.



07 Install filler pieces and corner pieces. Lift the filler pieces and corner pieces over the enclosure. Secure them with a self-tapering screw from the bottom into the enclosure.



08 \*For wall trims: use an extra wall support. Select the correct screw and plug in function of the wall type.

Jaga Canada Climate Systems  
[www.jaga-canada.com](http://www.jaga-canada.com)

december 20, 2018 2:45 p.m. - Jaga Inc.