



Energy
SAVERS
LOW-H₂O



jaga

CONTINUO/CONTINUA
The most powerful heat emitters for
condensing boilers and heat pumps

WWW.JAGA-USA.COM
WWW.JAGA-CANADA.COM





CONTINUO / CONTINUA
continuous wall mounted cabinet



WARM POWER, CUTTING-EDGE DESIGN

While the Continua has a slope top design to prevent blocked grilles, the Continuo is recognised by a sleek rectangular enclosure. Both products have been developed with a strong focus on easy installation for continuous project installations. Wall trims, empty cabinets, filler- and corner pieces are designed with optimal flexibility for onsite adjustments.

OUTPUT

Type	d	h	D	Continuo only		Continuo/ Continua	
				H 8 (20)	H 14 (35)	19.5 (50)	25.5 (65)
05	2 (5)	4 (10)	2 11/16 (6.8)	380	400	---	---
10	4 (10)	4 (10)	4 41/64 (11.8)	736	927	1080	1207
15	6 (15)	4 (10)	6 39/64 (16.8)	1224	1525	1758	1943
20	8 (20)	4 (10)	8 37/64 (21.8)	1720	2139	2463	2718

Note: dimensions in "() " are shown in centimeters.

Average output in BTU/h foot active length with 65°F (18.3°C) entering air and 1 GPM flow rate. Mean water temperature of 160°F (71.1°C).

THE MOST POWERFUL HEAT EMITTERS



Significant energy savings

The most efficient and modern fin tube element, that complies with actual AND future building standards and technologies.

For all low temperature hydronic systems

Perfectly suited for condensing boilers, heat pumps and solar systems.

The perfect partner for radiant heating

for improved temperature control and energy efficiency.

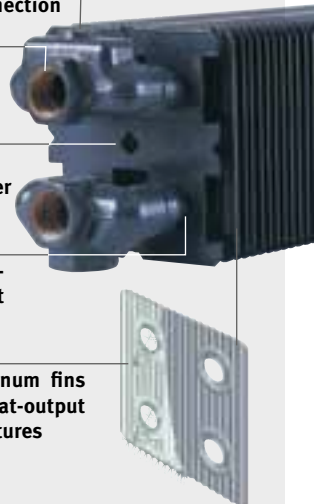
1/8" NPTF airvent connection

Brass collectors with 1/2" NPTF connections

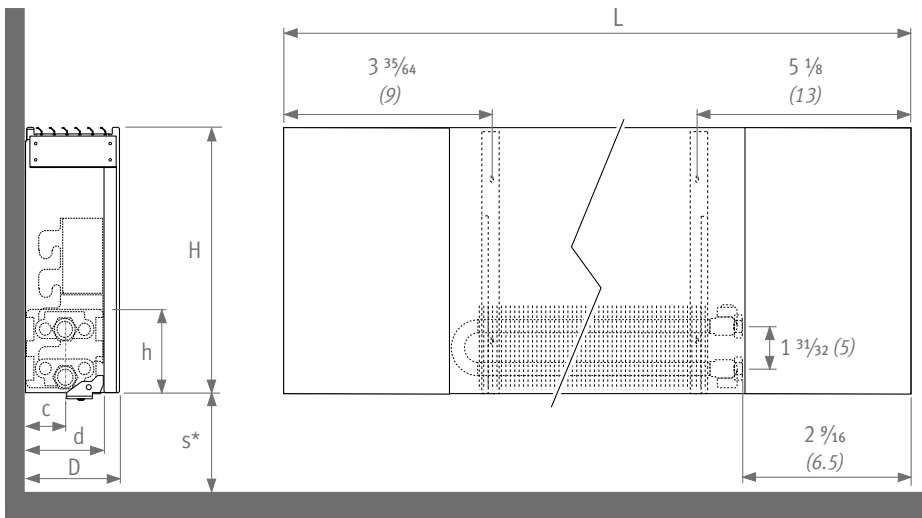
With dirt-repellent and dust-proof lacquer in graphite grey

Up to 16 parallel copper tubes for the best heat emission

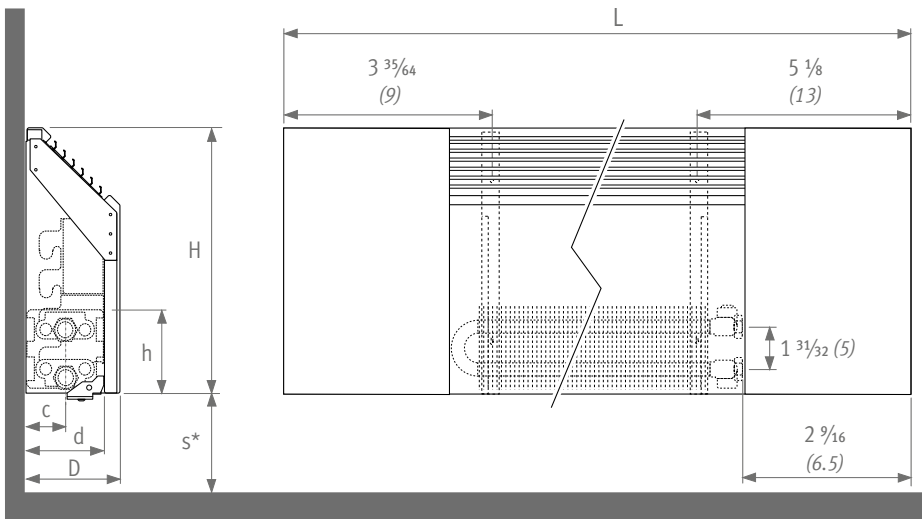
55 Corrugated aluminum fins per foot for super heat-output at low water temperatures



DIMENSIONS CONTINUO



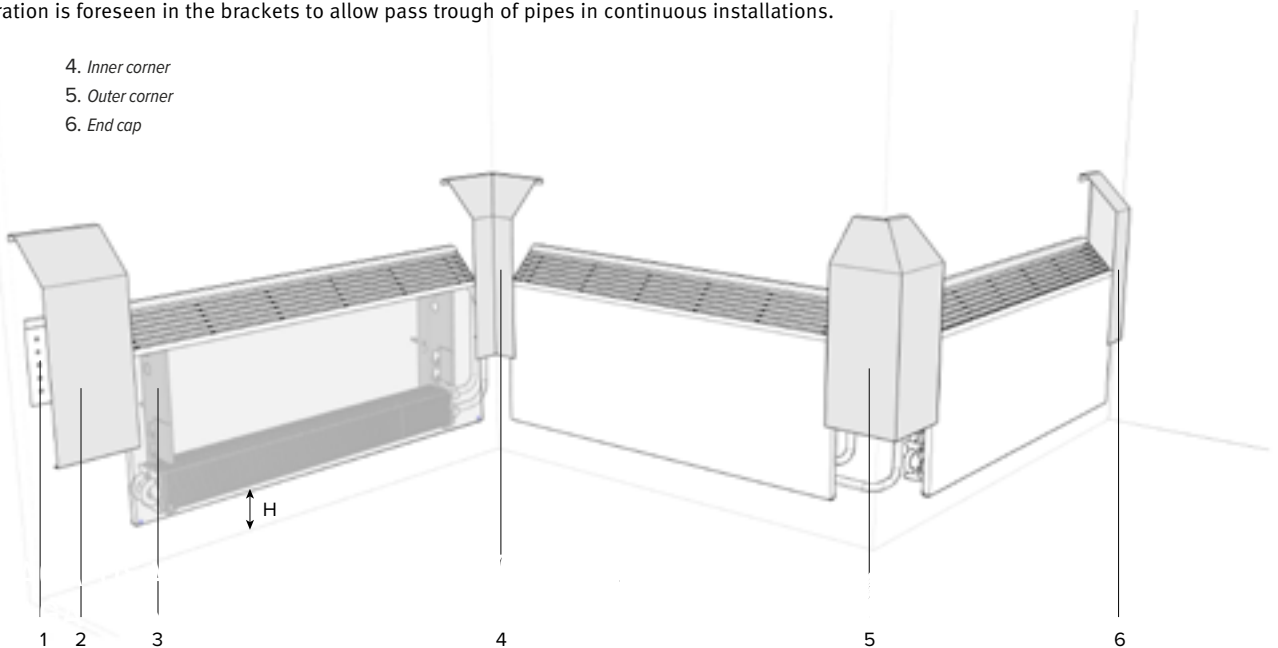
DIMENSIONS CONTINUA



OVERVIEW

A 30mm perforation is foreseen in the brackets to allow pass trough of pipes in continuous installations.

- 1. Wall bracket
- 2. Wall trim
- 3. Wall bracket
- 4. Inner corner
- 5. Outer corner
- 6. End cap



WWW.JAGA-USA.COM
WWW.JAGA-CANADA.COM

