

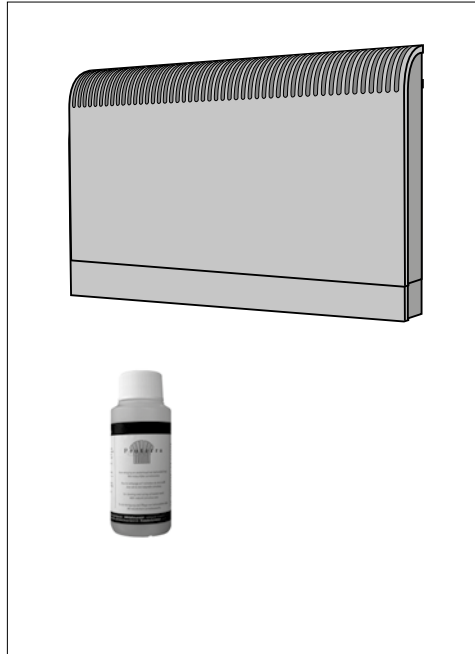
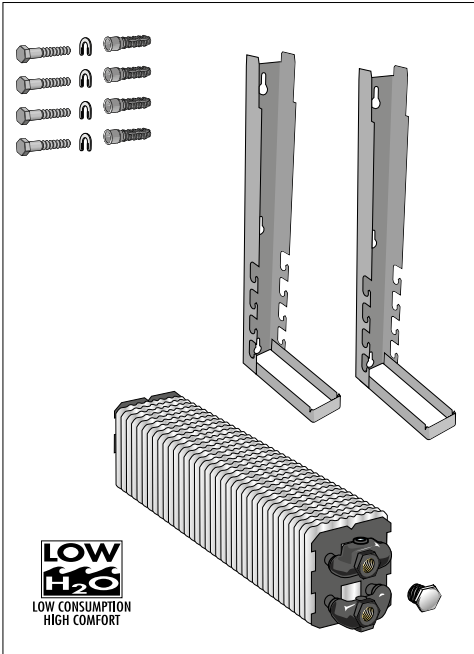


jaga

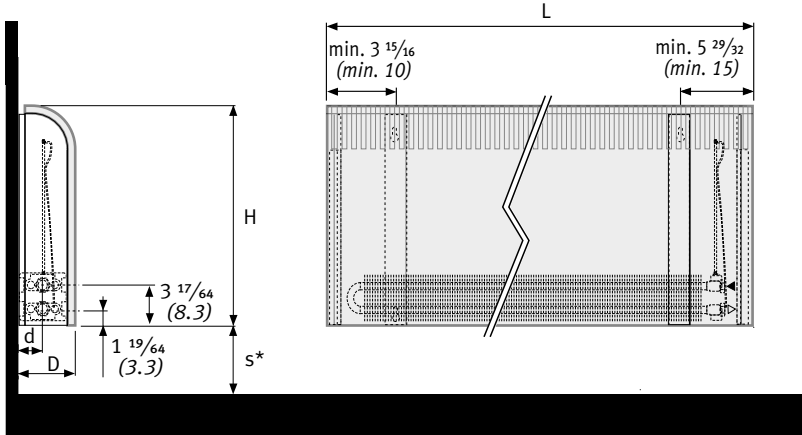
KNOCKONWOOD

Energy SAVERS LOW-H₂O

Installation manual



DIMENSIONS in inch (cm)



Type	D	d	s min*
06	4 1/4 (10.8)	1 13/16 (4.6)	3 15/16 (10)
10-11	5 1/32 (12.8)	2 3/64 (5.2)	3 15/16 (10)
15-16	7 1/64 (17.8)	3 1/32 (7.7)	4 23/32 (12)

* Smaller dimensions can decrease output.

Note: dimensions in "()" are shown in centimeters.

