

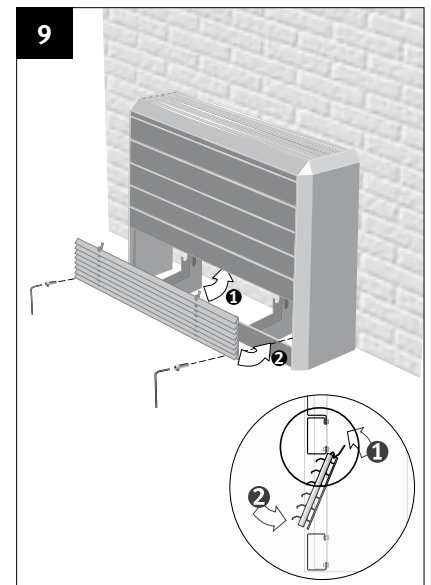
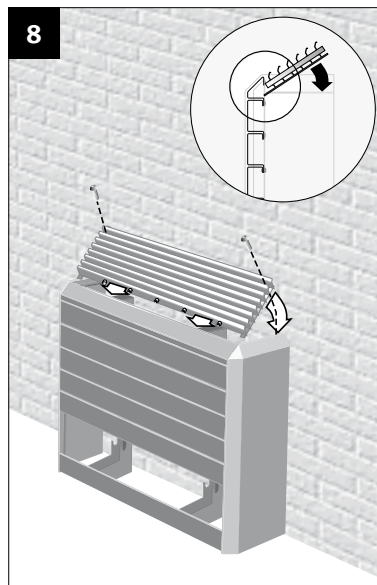
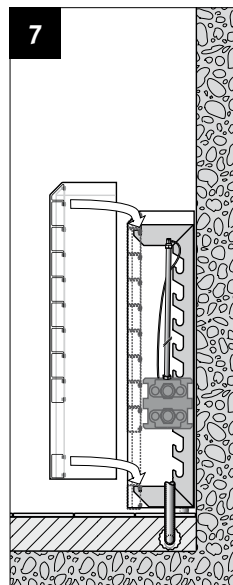
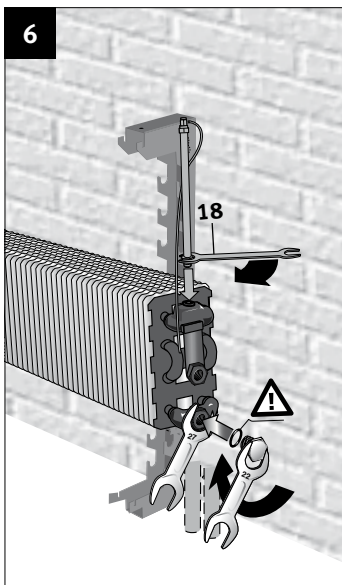
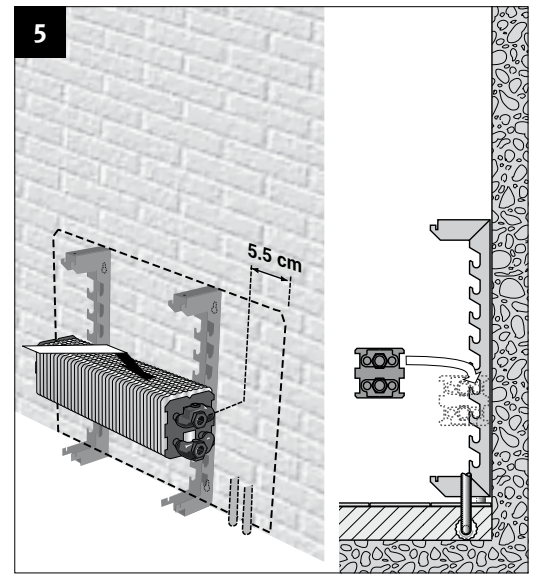
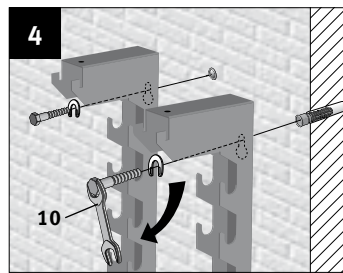
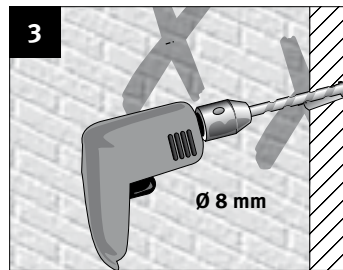
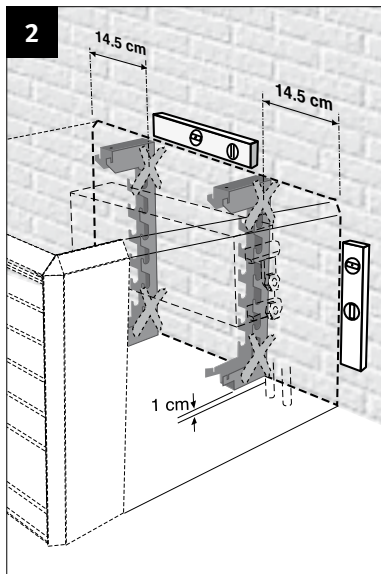
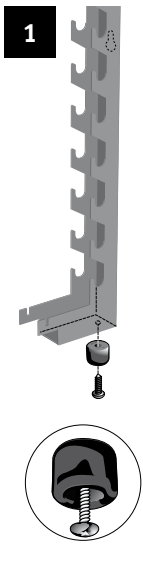
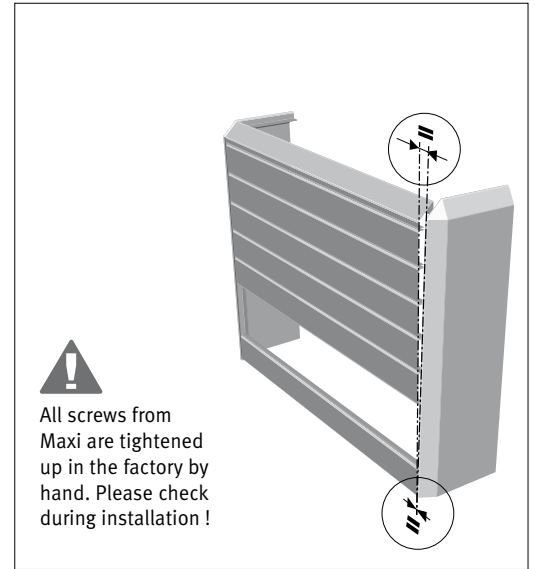
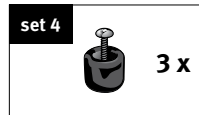
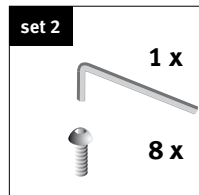
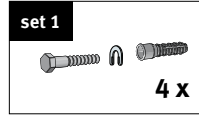
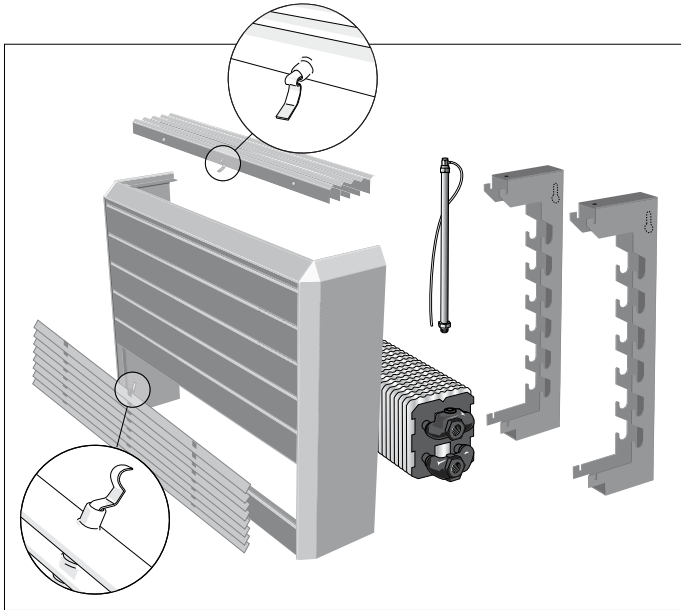


Maxi FT

jaga

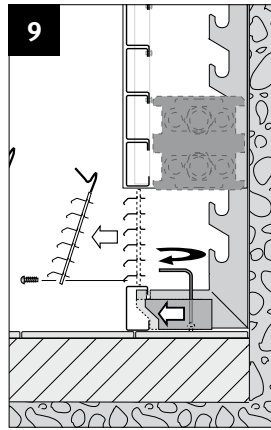
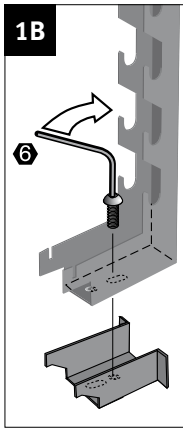
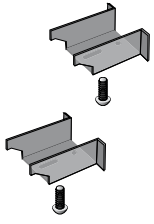
Installation manual

Energy
SAVERS
LOW-H₂O



OPTIONS

Mounting locks



Mounting pencil-proof grille

