



EN 442

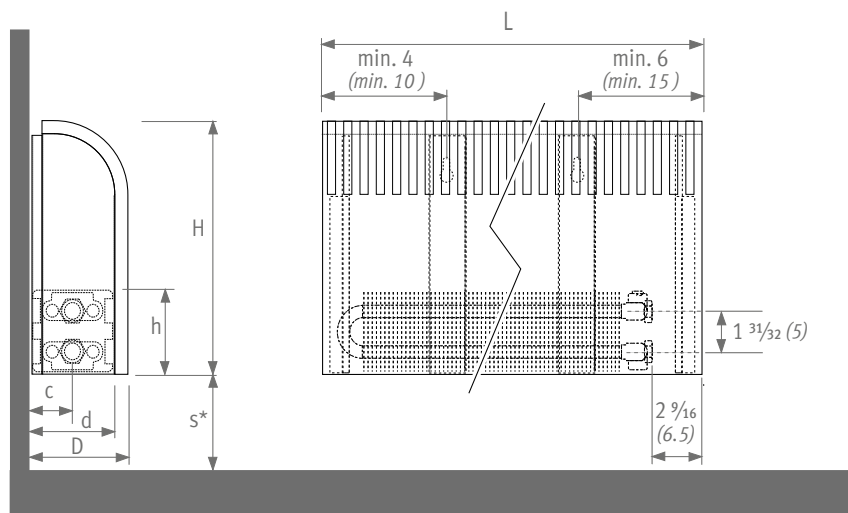
LOW H<sub>2</sub>O

30 YEAR GUARANTEE

# KNOCKONWOOD

## Dimensions & heat output

### DIMENSIONS

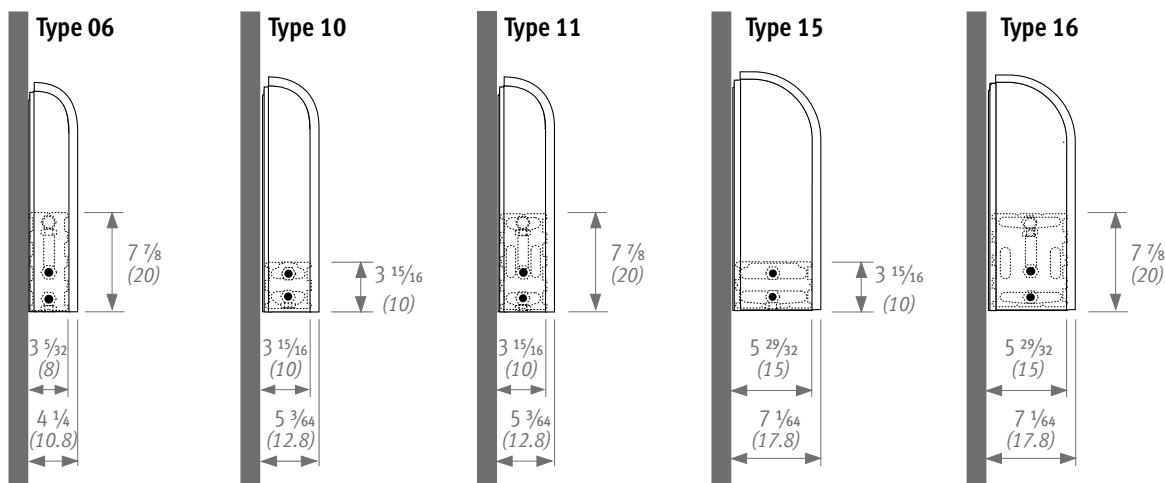


\* Smaller dimensions can decrease output.

Knockonwood is available from stock in oak natural (standard color) and zebrano (optional color) in:  
 - height 21.6" (55cm)  
 - length 23.6" - 55" (60 - 140cm)  
 We offer other dimensions and wood types of Knockonwood per minimum of 10 pieces per color and dimension.

Type	d	h	D	c	s
10	3 15/16 (10)	3 15/16 (10)	5 3/64 (12.8)	2 3/64 (5.2)	3 15/16 (10)
15	5 29/32 (15)	3 15/16 (10)	7 1/64 (17.8)	3 1/32 (7.7)	4 23/32 (12)

Type	d	h	D	c	s
06	3 5/32 (8)	7 7/8 (20)	4 1/4 (10.8)	1 13/16 (4.6)	3 15/16 (10)
11	3 15/16 (10)	7 7/8 (20)	5 3/64 (12.8)	2 3/64 (5.2)	3 15/16 (10)
16	5 29/32 (15)	7 7/8 (20)	7 1/64 (17.8)	3 1/32 (7.7)	4 23/32 (12)



Note: dimensions in “( )” are shown in centimeters.

The information in this technical brochure is correct at the time of printing. Jaga reserves the right to change product specification at any time in line with our policy of continuous improvement and innovation.



The dimensions shown in the tables have been rounded off to 0.5".  
Dimensions in cm are exact. (1 cm = 0.394")

## KNOCKONWOOD TYPE 06

mean T °F (°C)	H	L 23.5"	31.5"	39.5"	47"	55"	71"	86.5"
		(060)	(080)	(100)	(120)	(140)	(180)	(220)
170 (76.7)	<b>12"</b>	1775	2364	2958	3551	4140	5323	6509
160 (71.1)	(030)	1534	2043	2556	3069	3578	4600	5626
<b>130 (54.4)</b>		<b>882</b>	<b>1175</b>	<b>1470</b>	<b>1765</b>	<b>2058</b>	<b>2646</b>	<b>3236</b>
<b>110 (43.3)</b>		<b>516</b>	<b>688</b>	<b>860</b>	<b>1033</b>	<b>1204</b>	<b>1548</b>	<b>1894</b>
170 (76.7)	<b>21.5"</b>	2358	3146	3933	4721	5509	7080	8655
160 (71.1)	(055)	2042	2724	3405	4087	4769	6129	7493
<b>130 (54.4)</b>		<b>1182</b>	<b>1577</b>	<b>1972</b>	<b>2366</b>	<b>2761</b>	<b>3549</b>	<b>4338</b>
<b>110 (43.3)</b>		<b>696</b>	<b>928</b>	<b>1161</b>	<b>1393</b>	<b>1626</b>	<b>2090</b>	<b>2555</b>
170 (76.7)	<b>31.5"</b>	2738	3651	4564	5476	---	---	---
160 (71.1)	(080)	2375	3166	3958	4750	---	---	---
<b>130 (54.4)</b>		<b>1384</b>	<b>1846</b>	<b>2307</b>	<b>2769</b>	---	---	---
<b>110 (43.3)</b>		<b>820</b>	<b>1094</b>	<b>1368</b>	<b>1641</b>	---	---	---

BTU/hr with 65°F (18.3°C) entering air and 1 GPM flow rate

code height length type wood conn.

ORDER CODE: KNOW. 030 060 06. XXX /00

Find the wood finish on the color chart.

## KNOCKONWOOD TYPE 10

mean T °F (°C)	H	L 23.5"	31.5"	39.5"	47"	55"	71"	86.5"
		(060)	(080)	(100)	(120)	(140)	(180)	(220)
170 (76.7)	<b>12"</b>	1928	2572	3216	3860	4504	5789	7077
160 (71.1)	(030)	1667	2224	2781	3338	3895	5005	6119
<b>130 (54.4)</b>		<b>960</b>	<b>1281</b>	<b>1602</b>	<b>1923</b>	<b>2244</b>	<b>2883</b>	<b>3525</b>
<b>110 (43.3)</b>		<b>562</b>	<b>751</b>	<b>939</b>	<b>1127</b>	<b>1315</b>	<b>1690</b>	<b>2066</b>
170 (76.7)	<b>21.5"</b>	2795	3727	4659	5591	6523	8387	10250
160 (71.1)	(055)	2428	3237	4047	4856	5666	7285	8904
<b>130 (54.4)</b>		<b>1423</b>	<b>1898</b>	<b>2372</b>	<b>2847</b>	<b>3322</b>	<b>4271</b>	<b>5220</b>
<b>110 (43.3)</b>		<b>848</b>	<b>1131</b>	<b>1414</b>	<b>1697</b>	<b>1980</b>	<b>2546</b>	<b>3111</b>
170 (76.7)	<b>31.5"</b>	3272	4361	5450	6540	---	---	---
160 (71.1)	(080)	2855	3806	4756	5707	---	---	---
<b>130 (54.4)</b>		<b>1703</b>	<b>2270</b>	<b>2837</b>	<b>3405</b>	---	---	---
<b>110 (43.3)</b>		<b>1032</b>	<b>1376</b>	<b>1720</b>	<b>2064</b>	---	---	---

BTU/hr with 65°F (18.3°C) entering air and 1 GPM flow rate

## KNOCKONWOOD TYPE 11

mean T °F (°C)	H	L 23.5"	31.5"	39.5"	47"	55"	71"	86.5"
		(060)	(080)	(100)	(120)	(140)	(180)	(220)
170 (76.7)	<b>12"</b>	2218	2959	3700	4441	5182	6659	8141
160 (71.1)	(030)	1906	2542	3179	3816	4452	5722	6995
<b>130 (54.4)</b>		<b>1072</b>	<b>1430</b>	<b>1788</b>	<b>2146</b>	<b>2504</b>	<b>3218</b>	<b>3935</b>
<b>110 (43.3)</b>		<b>614</b>	<b>819</b>	<b>1024</b>	<b>1229</b>	<b>1434</b>	<b>1843</b>	<b>2253</b>
170 (76.7)	<b>21.5"</b>	3079	4108	5133	6158	7187	9241	11291
160 (71.1)	(055)	2653	3540	4423	5306	6193	7963	9730
<b>130 (54.4)</b>		<b>1509</b>	<b>2013</b>	<b>2515</b>	<b>3018</b>	<b>3522</b>	<b>4529</b>	<b>5534</b>
<b>110 (43.3)</b>		<b>873</b>	<b>1165</b>	<b>1456</b>	<b>1746</b>	<b>2038</b>	<b>2621</b>	<b>3203</b>
170 (76.7)	<b>31.5"</b>	3607	4811	6015	7219	---	---	---
160 (71.1)	(080)	3117	4158	5198	6239	---	---	---
<b>130 (54.4)</b>		<b>1792</b>	<b>2391</b>	<b>2989</b>	<b>3587</b>	---	---	---
<b>110 (43.3)</b>		<b>1048</b>	<b>1398</b>	<b>1748</b>	<b>2098</b>	---	---	---

BTU/hr with 65°F (18.3°C) entering air and 1 GPM flow rate

## KNOCKONWOOD TYPE 15

mean T °F (°C)	H	L 23.5"	31.5"	39.5"	47"	55"	71"	86.5"
		(060)	(080)	(100)	(120)	(140)	(180)	(220)
170 (76.7)	<b>12"</b>	2934	3913	4893	5872	6852	8807	10766
160 (71.1)	(030)	2539	3387	4235	5083	5931	7623	9319
<b>130 (54.4)</b>		<b>1469</b>	<b>1960</b>	<b>2450</b>	<b>2941</b>	<b>3431</b>	<b>4410</b>	<b>5391</b>
<b>110 (43.3)</b>		<b>864</b>	<b>1153</b>	<b>1442</b>	<b>1730</b>	<b>2019</b>	<b>2595</b>	<b>3172</b>
170 (76.7)	<b>21.5"</b>	4228	5639	7050	8461	9871	12689	15511
160 (71.1)	(055)	3679	4907	6135	7362	8590	11042	13498
<b>130 (54.4)</b>		<b>2172</b>	<b>2896</b>	<b>3621</b>	<b>4346</b>	<b>5071</b>	<b>6518</b>	<b>7968</b>
<b>110 (43.3)</b>		<b>1303</b>	<b>1738</b>	<b>2173</b>	<b>2607</b>	<b>3042</b>	<b>3911</b>	<b>4781</b>
170 (76.7)	<b>31.5"</b>	4881	6507	8133	9759	---	---	---
160 (71.1)	(080)	4270	5692	7114	8537	---	---	---
<b>130 (54.4)</b>		<b>2571</b>	<b>3427</b>	<b>4283</b>	<b>5140</b>	---	---	---
<b>110 (43.3)</b>		<b>1572</b>	<b>2096</b>	<b>2620</b>	<b>3143</b>	---	---	---

BTU/hr with 65°F (18.3°C) entering air and 1 GPM flow rate

## KNOCKONWOOD TYPE 16

mean T °F (°C)	H	L 23.5"	31.5"	39.5"	47"	55"	71"	86.5"
		(060)	(080)	(100)	(120)	(140)	(180)	(220)
170 (76.7)	<b>12"</b>	3228	4302	5380	6457	7531	9682	11837
160 (71.1)	(030)	2780	3704	4632	5560	6484	8336	10192
<b>130 (54.4)</b>		<b>1576</b>	<b>2100</b>	<b>2626</b>	<b>3152</b>	<b>3677</b>	<b>4727</b>	<b>5779</b>
<b>110 (43.3)</b>		<b>909</b>	<b>1212</b>	<b>1515</b>	<b>1819</b>	<b>2121</b>	<b>2728</b>	<b>3335</b>
170 (76.7)	<b>21.5"</b>	4553	6074	7591	9107	10628	13665	16698
160 (71.1)	(055)	3926	5238	6545	7853	9165	11784	14399
<b>130 (54.4)</b>		<b>2239</b>	<b>2987</b>	<b>3732</b>	<b>4478</b>	<b>5226</b>	<b>6720</b>	<b>8211</b>
<b>110 (43.3)</b>		<b>1299</b>	<b>1733</b>	<b>2166</b>	<b>2598</b>	<b>3032</b>	<b>3899</b>	<b>4765</b>
170 (76.7)	<b>31.5"</b>	5504	7342	9176	11009	---	---	---
160 (71.1)	(080)	4754	6341	7924	9508	---	---	---
<b>130 (54.4)</b>		<b>2726</b>	<b>3636</b>	<b>4545</b>	<b>5453</b>	---	---	---
<b>110 (43.3)</b>		<b>1590</b>	<b>2122</b>	<b>2652</b>	<b>3181</b>	---	---	---

BTU/hr with 65°F (18.3°C) entering air and 1 GPM flow rate

