



Eyecatchers
* From design to art *

jaga

Iguana+
COLLECTION

ANGULA PLUS
The sunshine radiator

www.
THE RADIATOR FACTORY
.COM



ANGULA PLUS, THE SUNSHINE RADIATOR

Iguana Plus is more than a functional radiator. Iguana Circo, the first model, is an interpretation of the brightly shining sun, transformed into a fully functional work of art. Representing the birth of "sunshine radiators", Iguana has the essential, natural yet light hearted touch that creates a feeling of real warmth in its modern design. It's heating straight from the soul.

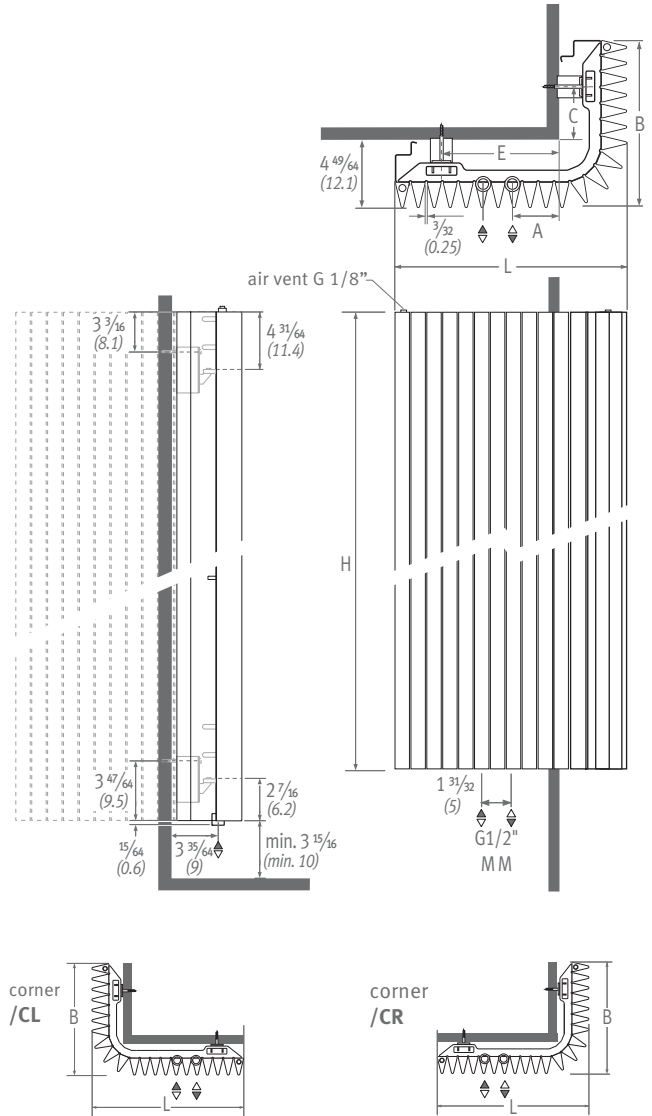
OUTPUT

	code	height	length	color	conn.	corner
ORDER CODE:	ANPW.	180	040	XXX	/MM	/CL

mean T °F (°C)	H	L 15.5" (040)	18" (046)	20" (051)
170 (76.7)	71"	7332	8731	10127
160 (71.1)	(180)	6402	7624	8842
130 (54.4)		3828	4559	5287
110 (43.3)		2326	2770	3212
170 (76.7)	75.5"	7646	9101	10557
160 (71.1)	(192)	6684	7956	9229
130 (54.4)		4015	4779	5544
110 (43.3)		2450	2916	3383
170 (76.7)	79"	7837	9333	10824
160 (71.1)	(200)	6857	8166	9470
130 (54.4)		4131	4920	5706
110 (43.3)		2529	3011	3492
170 (76.7)	86.5"	8260	9835	11409
160 (71.1)	(220)	7241	8622	10002
130 (54.4)		4396	5234	6072
110 (43.3)		2710	3227	3744
170 (76.7)	94.5"	8601	10242	11882
160 (71.1)	(240)	7556	8996	10437
130 (54.4)		4622	5503	6385
110 (43.3)		2871	3418	3966

BTU/hr with 65°F (18.3°C) entering air and 1 GPM flow rate.

DIMENSIONS



L	15 3/4 (40.0)	16 29/32 (45.5)	20 5/64 (51.0)
B	11 27/64 (29.0)	13 37/64 (34.5)	15 3/4 (40.0)
A	4 1/16 (10.3)	5 5/32 (13.1)	6 7/32 (15.8)
C	3 55/64 (9.8)	6 1/32 (15.3)	8 3/16 (20.8)
E	8 3/16 (20.8)	10 23/64 (26.3)	12 33/64 (31.8)

Note: dimensions in "()" are shown in centimeters.