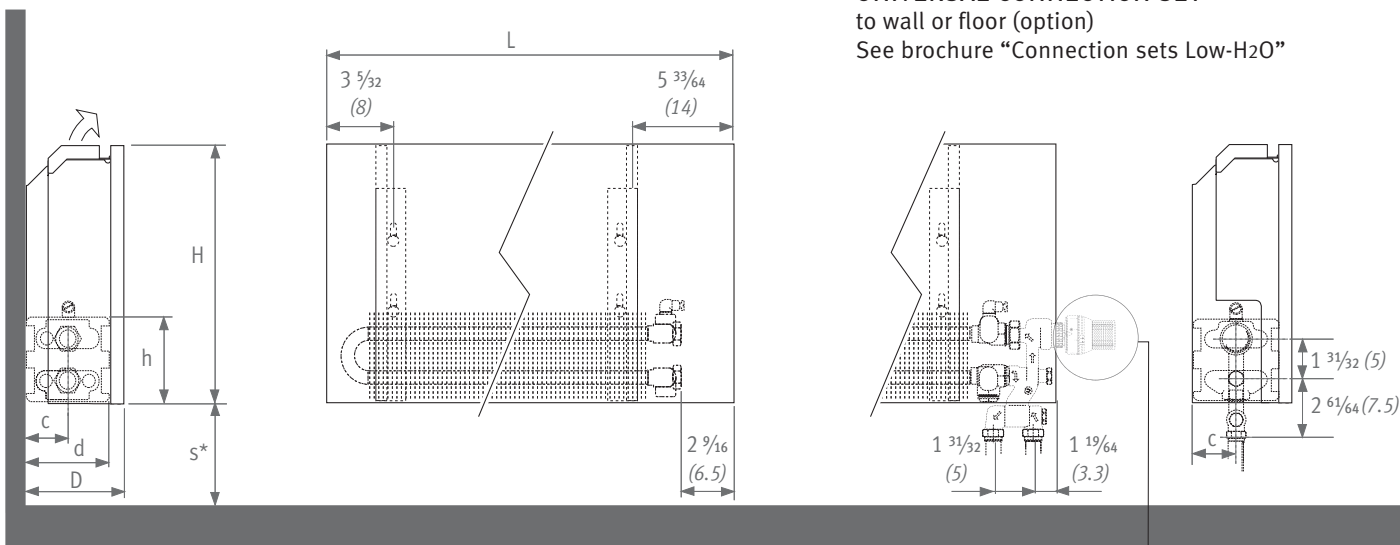




LINEA PLUS

Dimensions & heat output

DIMENSIONS



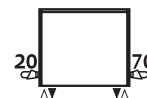
UNIVERSAL CONNECTION SET

to wall or floor (option)
See brochure "Connection sets Low-H₂O"

* Smaller dimensions can decrease output.

Type	d	h	D	c	s
10	3 15/16 (10)	3 15/16 (10)	4 41/64 (11.8)	2 3/32 (5.3)	3 15/16 (10)
15	5 29/32 (15)	3 15/16 (10)	6 39/64 (16.8)	3 5/64 (7.8)	4 23/32 (12)
20	7 7/8 (20)	3 15/16 (10)	8 37/64 (21.8)	4 1/16 (10.3)	5 29/32 (15)

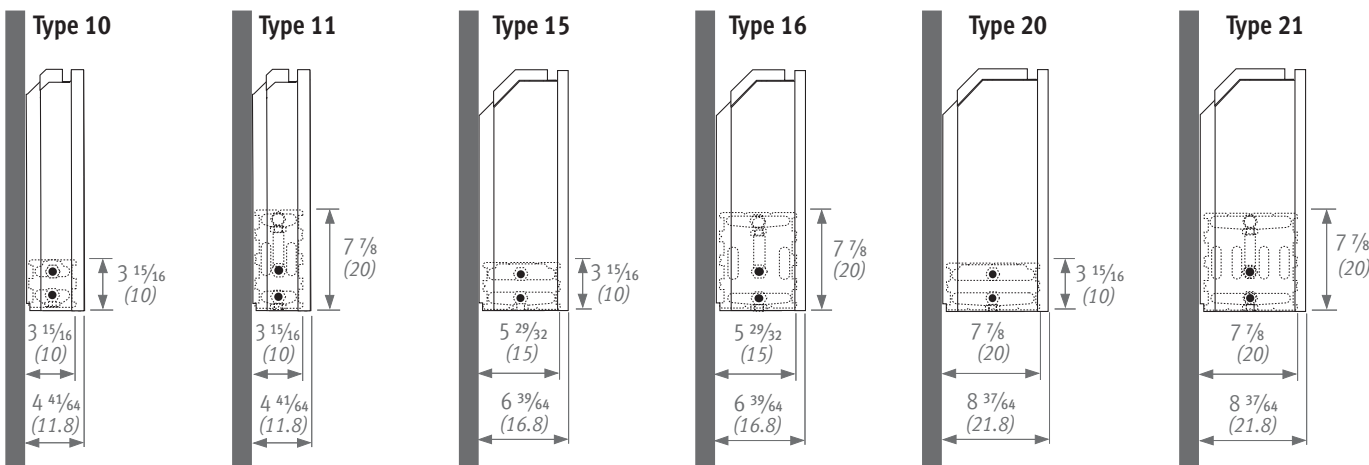
Type	d	h	D	c	s
11	3 15/16 (10)	7 7/8 (20)	3 11/32 (8.5)	2 3/32 (5.3)	3 15/16 (10)
16	5 29/32 (15)	7 7/8 (20)	6 39/64 (16.8)	3 5/64 (7.8)	4 23/32 (12)
21	7 7/8 (20)	7 7/8 (20)	8 37/64 (21.8)	4 1/16 (10.3)	5 29/32 (15)



CONNECTION


Standard closed side panels /00.

Apply order code /20 or /70 for open side panel for thermostat.



Note: dimensions in "()" are shown in centimeters.

The information in this technical brochure is correct at the time of printing. Jaga reserves the right to change product specification at any time in line with our policy of continuous improvement and innovation.

 The dimensions shown in the tables have been rounded off to 0.5".
Dimensions in cm are exact. (1 cm = 0.394")

LINEA PLUS TYPE 10

code height length type color conn.
ORDER CODE: LINW. 020 050 10. XXX /00

mean T °F (°C)	H	L 19.5" (050)	23.5" (060)	27.5" (070)	31.5" (080)	35.5" (090)	39.5" (100)	43.5" (110)	47" (120)	55" (140)	63" (160)	71" (180)	78.5" (200)	86.5" (220)	94.5" (240)	102.5" (260)	110" (280)
170 (76.7)	8"	1208	1450	1693	1931	2174	2416	2659	2901	3382	3867	4348	4833	5318	5799	6284	6765
160 (71.1)	(020)	1046	1256	1466	1673	1883	2093	2303	2513	2929	3349	3766	4186	4606	5023	5443	5859
130 (54.4)		606	728	850	970	1092	1213	1335	1457	1698	1942	2184	2427	2671	2912	3156	3397
110 (43.3)		357	429	501	572	644	715	787	859	1001	1145	1288	1431	1575	1717	1861	2003
170 (76.7)	14"	1667	1998	2334	2665	3000	3331	3666	3997	4663	5330	5996	6662	7328	7995	8661	9327
160 (71.1)	(035)	1446	1734	2025	2312	2603	2890	3181	3468	4046	4624	5202	5780	6358	6936	7514	8092
130 (54.4)		844	1012	1181	1349	1519	1686	1856	2024	2361	2698	3036	3373	3711	4048	4385	4723
110 (43.3)		501	600	701	800	901	1001	1101	1201	1401	1601	1801	2002	2202	2402	2602	2802
170 (76.7)	19.5"	2040	2446	2857	3263	3673	4080	4486	4897	5714	6526	7343	8160	8977	9794	10607	11423
160 (71.1)	(050)	1773	2126	2483	2836	3192	3546	3899	4256	4966	5672	6382	7092	7802	8512	9218	9928
130 (54.4)		1041	1248	1458	1665	1875	2082	2290	2500	2917	3331	3748	4165	4583	5000	5414	5831
110 (43.3)		621	745	870	994	1120	1243	1367	1492	1741	1989	2238	2487	2736	2985	3233	3482
170 (76.7)	25.5"	2368	2841	3313	3786	4259	4732	5205	5678	6623	7573	8519	9464	10410	11356	12305	13251
160 (71.1)	(065)	2061	2473	2884	3296	3708	4119	4531	4943	5766	6593	7416	8239	9062	9886	10713	11536
130 (54.4)		1218	1462	1705	1948	2192	2435	2679	2922	3409	3897	4384	4871	5358	5844	6333	6820
110 (43.3)		732	878	1024	1171	1317	1463	1609	1756	2048	2342	2634	2927	3219	3512	3805	4098
170 (76.7)	37.5"	---	3518	4102	4690	5273	5861	6449	7033	8204	---	---	---	---	---	---	---
160 (71.1)	(095)	---	3073	3583	4097	4607	5120	5634	6144	7167	---	---	---	---	---	---	---
130 (54.4)		---	1841	2147	2454	2760	3067	3375	3681	4294	---	---	---	---	---	---	---
110 (43.3)		---	1121	1306	1494	1680	1867	2054	2240	2613	---	---	---	---	---	---	---

BTU/hr with 65°F (18.3°C) entering air and 1 GPM flow rate

LINEA PLUS TYPE 11

code height length type color conn.
ORDER CODE: LINW. 035 050 11. XXX /00

mean T °F (°C)	H	L 19.5" (050)	23.5" (060)	27.5" (070)	31.5" (080)	35.5" (090)	39.5" (100)	43.5" (110)	47" (120)	55" (140)	63" (160)	71" (180)	78.5" (200)	86.5" (220)	94.5" (240)	102.5" (260)	110" (280)
170 (76.7)	14"	2344	2814	3284	3749	4219	4689	5158	5628	6564	7503	8438	9378	10317	11253	12192	13128
160 (71.1)	(035)	2025	2431	2837	3239	3645	4051	4457	4863	5671	6483	7291	8103	8915	9723	10535	11343
130 (54.4)		1164	1397	1630	1861	2094	2328	2561	2794	3259	3725	4189	4656	5122	5587	6053	6518
110 (43.3)		680	816	953	1088	1224	1360	1497	1633	1905	2177	2449	2721	2994	3266	3538	3810
170 (76.7)	19.5"	2795	3349	3908	4467	5026	5586	6145	6704	7822	8935	10053	11172	12290	13408	14521	15639
160 (71.1)	(050)	2416	2895	3379	3862	4345	4829	5312	5795	6762	7724	8691	9658	10624	11591	12553	13520
130 (54.4)		1391	1667	1945	2223	2501	2780	3058	3336	3892	4447	5003	5560	6116	6673	7227	7783
110 (43.3)		814	976	1139	1302	1465	1628	1791	1954	2279	2604	2930	3256	3582	3908	4232	4558
170 (76.7)	25.5"	3163	3795	4426	5057	5692	6323	6954	7590	8852	10118	11380	12647	13913	15175	16442	17704
160 (71.1)	(065)	2736	3282	3828	4374	4923	5469	6015	6564	7656	8751	9843	10938	12034	13125	14221	15312
130 (54.4)		1578	1893	2208	2522	2839	3154	3469	3786	4416	5048	5677	6309	6941	7571	8202	8832
110 (43.3)		926	1110	1295	1480	1666	1850	2035	2221	2591	2961	3331	3701	4072	4442	4812	5182
170 (76.7)	37.5"	---	4492	5241	5987	6736	7485	8235	8984	10479	---	---	---	---	---	---	---
160 (71.1)	(095)	---	3889	4537	5182	5831	6480	7129	7778	9071	---	---	---	---	---	---	---
130 (54.4)		---	2250	2626	2999	3375	3750	4126	4501	5250	---	---	---	---	---	---	---
110 (43.3)		---	1325	1546	1765	1986	2207	2428	2650	3090	---	---	---	---	---	---	---

BTU/hr with 65°F (18.3°C) entering air and 1 GPM flow rate



LINEA PLUS TYPE 15

code height length type color conn.
ORDER CODE: LINW. 020 050 15. XXX /00

mean T °F (°C)	L	19.5"	23.5"	27.5"	31.5"	35.5"	39.5"	43.5"	47"	55"	63"	71"	78.5"	86.5"	94.5"	102.5"	110"
	H	(050)	(060)	(070)	(080)	(090)	(100)	(110)	(120)	(140)	(160)	(180)	(200)	(220)	(240)	(260)	(280)
170 (76.7)	8"	2204	2645	3087	3525	3966	4408	4850	5291	6170	7054	7933	8816	9700	10579	11462	12341
160 (71.1)	(020)	1911	2294	2677	3056	3439	3822	4205	4588	5351	6117	6879	7645	8411	9174	9940	10702
130 (54.4)		1113	1336	1559	1780	2003	2226	2450	2673	3117	3563	4007	4453	4900	5344	5790	6234
110 (43.3)		659	791	923	1054	1186	1319	1451	1583	1846	2110	2373	2638	2902	3165	3429	3693
170 (76.7)	14"	2787	3341	3900	4458	5012	5570	6129	6683	7800	8912	10029	11141	12254	13371	14483	15600
160 (71.1)	(035)	2423	2905	3390	3876	4358	4843	5329	5810	6781	7748	8719	9687	10654	11625	12592	13563
130 (54.4)		1425	1709	1994	2280	2563	2849	3135	3418	3989	4558	5129	5698	6267	6839	7408	7979
110 (43.3)		852	1022	1193	1363	1533	1704	1874	2044	2386	2726	3067	3408	3748	4090	4430	4772
170 (76.7)	19.5"	3231	3876	4520	5165	5814	6458	7103	7752	9041	10334	11624	12917	14210	15500	16793	18082
160 (71.1)	(050)	2816	3378	3940	4502	5068	5630	6191	6757	7881	9008	10132	11260	12387	13511	14638	15762
130 (54.4)		1673	2007	2341	2675	3011	3344	3678	4014	4682	5352	6020	6689	7359	8027	8697	9365
110 (43.3)		1010	1212	1413	1615	1818	2019	2221	2424	2827	3231	3634	4039	4443	4846	5251	5654
170 (76.7)	25.5"	3599	4317	5038	5756	6478	7195	7917	8634	10073	11512	12951	14391	15830	17269	18708	20147
160 (71.1)	(065)	3146	3773	4404	5031	5662	6289	6920	7547	8804	10062	11320	12578	13836	15094	16352	17609
130 (54.4)		1888	2265	2643	3020	3398	3775	4153	4530	5285	6040	6795	7550	8305	9060	9815	10570
110 (43.3)		1151	1381	1612	1841	2072	2302	2533	2762	3223	3683	4143	4604	5064	5525	5985	6446
170 (76.7)	37.5"	---	5036	5872	6713	7550	8390	9231	10068	11745	---	---	---	---	---	---	---
160 (71.1)	(095)	---	4424	5159	5898	6633	7372	8111	8846	10319	---	---	---	---	---	---	---
130 (54.4)		---	2708	3158	3611	4061	4513	4965	5415	6317	---	---	---	---	---	---	---
110 (43.3)		---	1683	1963	2244	2524	2805	3086	3366	3927	---	---	---	---	---	---	---

BTU/hr with 65°F (18.3°C) entering air and 1 GPM flow rate

LINEA PLUS TYPE 16

code height length type color conn.
ORDER CODE: LINW. 035 050 16. XXX /00

mean T °F (°C)	L	19.5"	23.5"	27.5"	31.5"	35.5"	39.5"	43.5"	47"	55"	63"	71"	78.5"	86.5"	94.5"	102.5"	110"
	H	(050)	(060)	(070)	(080)	(090)	(100)	(110)	(120)	(140)	(160)	(180)	(200)	(220)	(240)	(260)	(280)
170 (76.7)	14"	3474	4167	4863	5556	6252	6945	7641	8334	9723	11112	12501	13890	15279	16668	18057	19446
160 (71.1)	(035)	3000	3598	4200	4798	5400	5998	6599	7197	8397	9596	10796	11996	13195	14395	15594	16794
130 (54.4)		1721	2064	2409	2752	3097	3440	3785	4128	4816	5504	6192	6880	7568	8256	8944	9632
110 (43.3)		1004	1204	1405	1605	1807	2007	2208	2408	2810	3211	3613	4014	4415	4817	5218	5620
170 (76.7)	19.5"	4170	5003	5836	6669	7502	8335	9169	10002	11668	13339	15005	16671	18338	20004	21675	23341
160 (71.1)	(050)	3602	4321	5041	5761	6480	7200	7920	8639	10079	11522	12961	14401	15840	17279	18722	20162
130 (54.4)		2067	2480	2893	3306	3719	4132	4545	4958	5785	6613	7439	8265	9091	9917	10746	11572
110 (43.3)		1207	1448	1689	1930	2172	2413	2654	2895	3378	3861	4344	4826	5308	5791	6274	6757
170 (76.7)	25.5"	4757	5705	6657	7610	8558	9510	10463	11411	13315	15216	17121	19021	20922	22826	24727	26631
160 (71.1)	(065)	4110	4929	5752	6575	7394	8217	9040	9859	11505	13147	14793	16435	18077	19723	21365	23011
130 (54.4)		2362	2832	3305	3778	4249	4722	5194	5665	6611	7554	8500	9444	10387	11333	12277	13222
110 (43.3)		1380	1655	1932	2208	2483	2760	3036	3311	3864	4416	4969	5520	6072	6625	7176	7729
170 (76.7)	37.5"	---	6861	8005	9149	10292	11436	12580	13723	16011	---	---	---	---	---	---	---
160 (71.1)	(095)	---	5932	6920	7909	8898	9886	10875	11864	13841	---	---	---	---	---	---	---
130 (54.4)		---	3415	3984	4553	5122	5691	6261	6830	7968	---	---	---	---	---	---	---
110 (43.3)		---	2000	2333	2666	3000	3333	3666	4000	4666	---	---	---	---	---	---	---

BTU/hr with 65°F (18.3°C) entering air and 1 GPM flow rate

LINEA PLUS TYPE 20

code height length type color conn.
ORDER CODE: LINW. 020 050 20. XXX /00

mean T °F (°C)	H	L 19.5" (050)	23.5" (060)	27.5" (070)	31.5" (080)	35.5" (090)	39.5" (100)	43.5" (110)	47" (120)	55" (140)	63" (160)	71" (180)	78.5" (200)	86.5" (220)	94.5" (240)	102.5" (260)	110" (280)
170 (76.7)	8"	2960	3551	4145	4736	5330	5921	6511	7106	8291	9472	10657	11842	13027	14212	15393	16578
160 (71.1)	(020)	2567	3079	3594	4106	4622	5134	5646	6161	7189	8213	9240	10268	11296	12323	13347	14375
130 (54.4)		1494	1792	2093	2391	2691	2989	3287	3588	4186	4782	5380	5979	6577	7176	7772	8370
110 (43.3)		885	1061	1239	1415	1593	1770	1946	2124	2478	2831	3186	3540	3894	4249	4602	4956
170 (76.7)	14"	3811	4573	5334	6096	6857	7619	8381	9142	10665	12192	13715	15239	16762	18285	19812	21335
160 (71.1)	(035)	3313	3975	4637	5299	5961	6623	7285	7948	9272	10599	11923	13247	14571	15896	17223	18547
130 (54.4)		1948	2338	2727	3116	3506	3895	4284	4674	5452	6233	7012	7790	8569	9348	10128	10907
110 (43.3)		1165	1397	1630	1863	2096	2328	2561	2794	3259	3726	4192	4657	5123	5588	6055	6520
170 (76.7)	19.5"	4466	5359	6253	7146	8039	8933	9826	10719	12506	14293	16079	17866	19653	21439	23226	25013
160 (71.1)	(050)	3893	4671	5450	6229	7007	7786	8564	9343	10900	12458	14015	15572	17129	18687	20244	21801
130 (54.4)		2312	2774	3237	3699	4161	4624	5086	5549	6474	7398	8323	9248	10173	11098	12023	12948
110 (43.3)		1395	1674	1953	2232	2511	2791	3070	3349	3907	4465	5023	5582	6140	6698	7256	7815
170 (76.7)	25.5"	5020	6023	7026	8029	9033	10036	11039	12042	14049	16059	18066	20072	22079	24085	26096	28102
160 (71.1)	(065)	4386	5263	6139	7016	7893	8769	9646	10522	12276	14033	15786	17539	19292	21045	22802	24555
130 (54.4)		2630	3155	3681	4206	4732	5258	5783	6309	7360	8413	9464	10516	11567	12618	13671	14722
110 (43.3)		1602	1922	2242	2562	2882	3202	3523	3843	4483	5125	5765	6405	7046	7686	8328	8968
170 (76.7)	37.5"	---	7103	8290	9473	10660	11842	13025	14211	16581	---	---	---	---	---	---	---
160 (71.1)	(095)	---	6239	7282	8320	9363	10401	11440	12483	14564	---	---	---	---	---	---	---
130 (54.4)		---	3815	4453	5088	5725	6360	6996	7633	8906	---	---	---	---	---	---	---
110 (43.3)		---	2369	2764	3159	3555	3949	4343	4739	5529	---	---	---	---	---	---	---

BTU/hr with 65°F (18.3°C) entering air and 1 GPM flow rate

LINEA PLUS TYPE 21

code height length type color conn.
ORDER CODE: LINW. 035 050 21. XXX /00

mean T °F (°C)	H	L 19.5" (050)	23.5" (060)	27.5" (070)	31.5" (080)	35.5" (090)	39.5" (100)	43.5" (110)	47" (120)	55" (140)	63" (160)	71" (180)	78.5" (200)	86.5" (220)	94.5" (240)	102.5" (260)	110" (280)
170 (76.7)	14"	4451	5342	6233	7120	8012	8903	9794	10685	12463	14246	16024	17806	19588	21366	23149	24927
160 (71.1)	(035)	3838	4606	5375	6139	6908	7676	8445	9213	10746	12283	13816	15353	16890	18423	19960	21493
130 (54.4)		2188	2626	3064	3500	3938	4376	4814	5252	6126	7002	7876	8752	9628	10502	11378	12252
110 (43.3)		1269	1523	1777	2030	2284	2538	2792	3046	3553	4061	4568	5076	5585	6092	6600	7107
170 (76.7)	19.5"	5496	6594	7696	8794	9896	10993	12091	13193	15393	17588	19788	21987	24187	26387	28582	30782
160 (71.1)	(050)	4737	5683	6633	7579	8528	9474	10420	11370	13266	15158	17053	18949	20845	22740	24632	26528
130 (54.4)		2695	3233	3774	4312	4852	5390	5929	6469	7548	8624	9703	10781	11860	12938	14015	15093
110 (43.3)		1560	1872	2185	2496	2809	3121	3432	3745	4370	4993	5618	6242	6867	7491	8115	8739
170 (76.7)	25.5"	6448	7735	9027	10314	11605	12892	14184	15471	18050	20628	23207	25785	28364	30942	33521	36100
160 (71.1)	(065)	5555	6664	7776	8885	9997	11106	12219	13328	15549	17770	19992	22213	24434	26656	28877	31098
130 (54.4)		3155	3785	4417	5047	5679	6309	6941	7571	8833	10095	11357	12619	13881	15143	16405	17667
110 (43.3)		1824	2188	2554	2918	3283	3648	4013	4377	5107	5836	6566	7296	8025	8755	9485	10214
170 (76.7)	37.5"	---	9838	11475	13116	14753	16395	18036	19673	22951	---	---	---	---	---	---	---
160 (71.1)	(095)	---	8468	9877	11289	12698	14111	15523	16932	19754	---	---	---	---	---	---	---
130 (54.4)		---	4794	5592	6391	7189	7989	8789	9586	11184	---	---	---	---	---	---	---
110 (43.3)		---	2762	3222	3683	4142	4603	5064	5524	6444	---	---	---	---	---	---	---

BTU/hr with 65°F (18.3°C) entering air and 1 GPM flow rate

