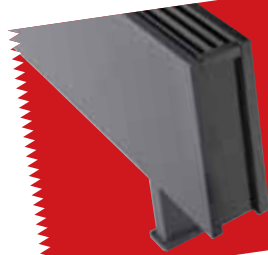




jaga



MINI FREESTANDING

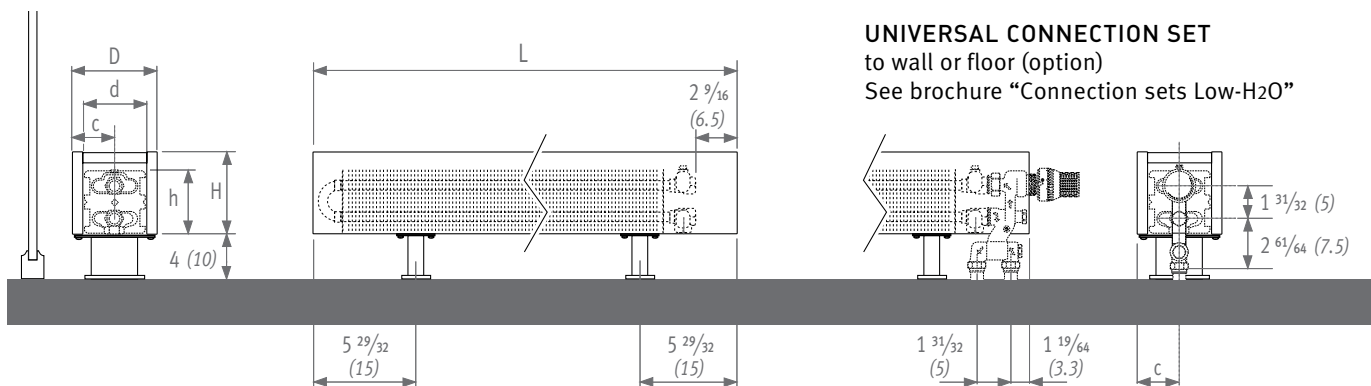
Dimensions & heat output

AUDI MEMBER EN 442

LOW H₂O

GUARANTEE 30 YEAR FIN TUBE ELEMENT

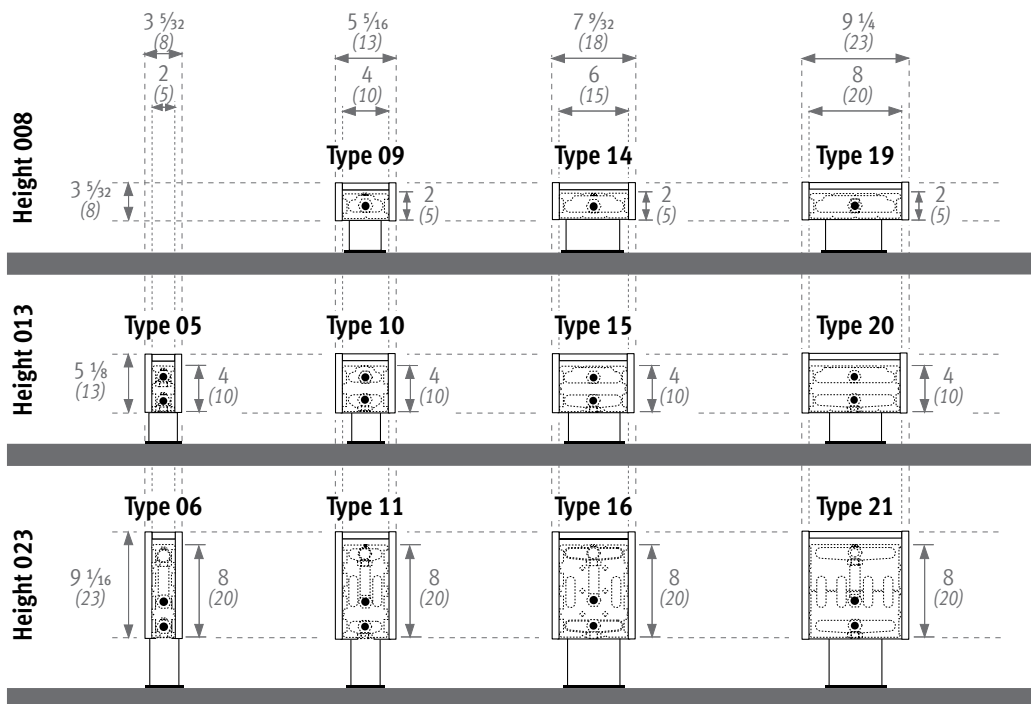
DIMENSIONS



Type	d	h	D	c
09	3 15/16 (10)	1 31/32 (5)	5 1/8 (13)	2 9/16 (6.5)
14	5 29/32 (15)	1 31/32 (5)	7 3/32 (18)	3 35/64 (9)
19	7 7/8 (20)	1 31/32 (5)	9 1/16 (23)	4 17/32 (11.5)

Type	d	h	D	c
05	1 31/32 (5)	3 15/16 (10)	3 5/32 (8)	1 37/64 (4)
10	3 15/16 (10)	3 15/16 (10)	5 1/8 (13)	2 9/16 (6.5)
15	5 29/32 (15)	3 15/16 (10)	7 3/32 (18)	3 35/64 (9)
20	7 7/8 (20)	3 15/16 (10)	9 1/16 (23)	4 17/32 (11.5)

Type	d	h	D	c
06	1 31/32 (5)	7 7/8 (20)	3 5/32 (8)	1 37/64 (4)
11	3 15/16 (10)	7 7/8 (20)	5 1/8 (13)	2 9/16 (6.5)
16	5 29/32 (15)	7 7/8 (20)	7 3/32 (18)	3 35/64 (9)
21	7 7/8 (20)	7 7/8 (20)	9 1/16 (23)	4 17/32 (11.5)



Note: dimensions in "()" are shown in centimeters.

The information in this technical brochure is correct at the time of printing. Jaga reserves the right to change product specification at any time in line with our policy of continuous improvement and innovation.



The dimensions shown in the tables have been rounded off to 0.5".
Dimensions in cm are exact. (1 cm = 0.394")

MINI HEIGHT 008 ORDER CODE: MINF. 008 060 09. XXX /FM /00

mean T °F (°C)		H	Type	L 23.5" (060)	27.5" (070)	31.5" (080)	35.5" (090)	39.5" (100)	43.5" (110)	47" (120)	55" (140)	63" (160)	71" (180)	78.5" (200)	86.5" (220)	94.5" (240)	102.5" (260)	110" (280)	118" (300)	
170 (76.7)	3" (008)	09	1081	1264	1442	1625	1803	1985	2163	2524	2885	3245	3606	3967	4327	4688	5049	5409		
160 (71.1)			938	1097	1251	1410	1564	1723	1877	2190	2503	2816	3129	3442	3755	4068	4381	4694		
130 (54.4)			548	640	730	823	913	1005	1096	1278	1461	1644	1827	2009	2192	2375	2557	2740		
110 (43.3)			325	380	433	488	542	597	650	759	867	976	1084	1193	1301	1410	1518	1627		
170 (76.7)	14	14	1765	2062	2354	2651	2944	3237	3534	4124	4709	5299	5889	6479	7069	7654	8244	8834		
160 (71.1)			1531	1789	2043	2301	2555	2809	3066	3578	4086	4598	5110	5621	6133	6641	7153	7665		
130 (54.4)			894	1044	1193	1343	1491	1640	1790	2089	2386	2684	2983	3282	3581	3877	4176	4475		
110 (43.3)			530	620	708	797	885	973	1063	1240	1416	1593	1771	1948	2126	2302	2479	2656		
170 (76.7)	19	19	2427	2830	3233	3640	4043	4446	4854	5660	6470	7276	8087	8897	9704	10514	11320	12131		
160 (71.1)			2105	2455	2805	3158	3508	3858	4211	4911	5614	6314	7017	7720	8420	9123	9822	10526		
130 (54.4)			1229	1433	1637	1844	2048	2252	2459	2867	3278	3686	4097	4507	4916	5326	5735	6145		
110 (43.3)			729	851	972	1094	1216	1337	1459	1702	1946	2188	2432	2676	2918	3162	3404	3648		

MINI HEIGHT 013 ORDER CODE: MINF. 013 060 05. XXX /FM /00

mean T °F (°C)		H	Type	L 23.5" (060)	27.5" (070)	31.5" (080)	35.5" (090)	39.5" (100)	43.5" (110)	47" (120)	55" (140)	63" (160)	71" (180)	78.5" (200)	86.5" (220)	94.5" (240)	102.5" (260)	110" (280)	118" (300)	
170 (76.7)	5" (013)	05	835	975	1115	1254	1394	1534	1674	1954	2230	2509	2789	3069	3349	3625	3904	4184		
160 (71.1)			725	846	968	1089	1210	1332	1453	1696	1936	2178	2421	2664	2907	3147	3389	3632		
130 (54.4)			424	495	566	637	708	779	850	992	1132	1274	1416	1558	1700	1840	1982	2125		
110 (43.3)			252	294	336	379	421	463	505	590	673	758	842	927	1011	1094	1179	1263		
170 (76.7)	10	10	1285	1502	1714	1930	2143	2359	2571	3000	3428	3857	4286	4714	5143	5572	6000	6429		
160 (71.1)			1115	1303	1487	1675	1859	2047	2231	2603	2974	3346	3718	4090	4462	4834	5206	5578		
130 (54.4)			651	760	868	977	1085	1194	1302	1519	1736	1953	2170	2387	2604	2821	3038	3255		
110 (43.3)			386	451	515	580	643	709	772	901	1030	1159	1287	1416	1545	1674	1803	1931		
170 (76.7)	15	15	2154	2515	2875	3232	3592	3953	4309	5030	5747	6468	7185	7902	8623	9340	10061	10778		
160 (71.1)			1870	2183	2495	2805	3118	3430	3740	4366	4988	5614	6236	6858	7484	8106	8732	9354		
130 (54.4)			1092	1275	1458	1639	1821	2004	2185	2551	2914	3280	3643	4007	4372	4736	5102	5465		
110 (43.3)			649	757	866	973	1082	1191	1298	1515	1731	1948	2164	2380	2597	2813	3031	3247		
170 (76.7)	20	20	3041	3550	4055	4564	5068	5577	6082	7096	8110	9124	10137	11151	12165	13179	14193	15206		
160 (71.1)			2639	3081	3519	3961	4399	4840	5279	6158	7038	7918	8798	9678	10558	11437	12317	13197		
130 (54.4)			1542	1800	2056	2314	2570	2828	3084	3598	4112	4626	5140	5654	6168	6683	7197	7711		
110 (43.3)			916	1069	1221	1375	1527	1680	1832	2137	2443	2748	3054	3359	3665	3970	4275	4581		

MINI HEIGHT 023 ORDER CODE: MINF. 023 060 06. XXX /FM /00

mean T °F (°C)		H	Type	L 23.5" (060)	27.5" (070)	31.5" (080)	35.5" (090)	39.5" (100)	43.5" (110)	47" (120)	55" (140)	63" (160)	71" (180)	78.5" (200)	86.5" (220)	94.5" (240)	102.5" (260)	110" (280)	118" (300)	
170 (76.7)	9" (023)	06	1369	1597	1826	2055	2284	2513	2742	3200	3653	4111	4569	5026	5484	5938	6395	6853		
160 (71.1)			1188	1387	1586	1784	1983	2182	2381	2778	3172	3569	3967	4364	4762	5156	5553	5951		
130 (54.4)			695	812	928	1044	1161	1277	1393	1626	1857	2089	2322	2555	2787	3018	3251	3483		
110 (43.3)			414	483	552	621	691	760	829	968	1105	1243	1382	1520	1659	1796	1935	2073		
170 (76.7)	11	11	2559	2984	3415	3840	4266	4692	5118	5974	6825	7681	8533	9385	10240	11092	11948	12800		
160 (71.1)			2215	2584	2956	3325	3693	4062	4430	5171	5909	6650	7387	8124	8865	9602	10343	11081		
130 (54.4)			1282	1495	1711	1924	2137	2351	2564	2993	3420	3848	4275	4702	5131	5557	5986	6413		
110 (43.3)			754	880	1007	1132	1258	1384	1509	1762	2013	2265	2516	2768	3020	3271	3524	3775		
170 (76.7)	16	16	3348	3907	4462	5021	5580	6138	6697	7811	8928	10042	11160	12277	13391	14508	15622	16740		
160 (71.1)			2895	3378	3858	4341	4824	5308	5791	6753	7720	8683	9649	10616	11578	12545	13507	14474		
130 (54.4)			1668	1946	2222	2501	2779	3058	3336	3891	4448	5002	5559	6116	6671	7227	7782	8339		
110 (43.3)			977	1140	1302	1466	1629	1792	1955	2280	2606	2932	3258	3584	3909	4236	4561	4887		
170 (76.7)	21	21	4362	5088	5815	6541	7267	7994	8720	10173	11630	13082	14535	15988	17440	18897	20350	21803		
160 (71.1)			3768	4395	5023	5650	6277	6905	7532	8787	10046	11300	12555	13810	15065	16323	17578	18833		
130 (54.4)			2162	2522	2883	3243	3603	3963	4323	5043	5766	6486	7206	7926	8646	9369	10089	10809		
110 (43.3)			1262	1473	1683	1893	2104	2314	2524	2945	3366	3787	4208	4628	5049	5470	5891	6312		

BTU/hr with 65°F (18.3°C) entering air and 1 GPM flow rate

