

# TEMPO FREESTANDING

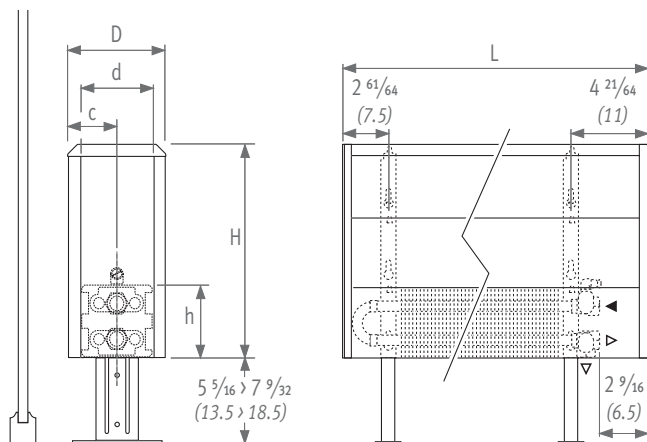
Dimensions & heat output

AUDI MEMBER EN 442

LOW H<sub>2</sub>O

30 YEAR GUARANTEE FIN FINE ELEMENT

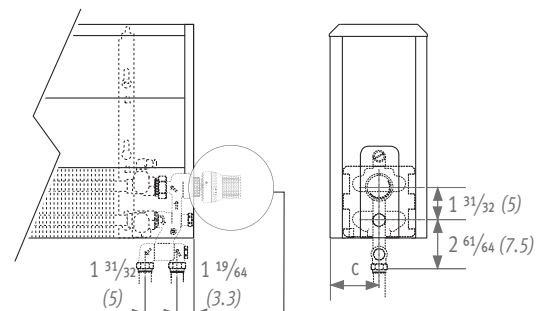
## DIMENSIONS



## UNIVERSAL CONNECTION SET

to wall or floor (option)

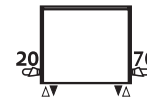
See brochure "Connection sets Low-H2O"



\* Smaller dimensions can decrease output.

Type	d	h	D	c
10	3 15/16 (10)	3 15/16 (10)	5 1/8 (13)	2 43/64 (6.8)
15	5 29/32 (15)	3 15/16 (10)	7 3/32 (18)	3 21/32 (9.3)
20	7 7/8 (20)	3 15/16 (10)	9 1/16 (23)	4 41/64 (11.8)

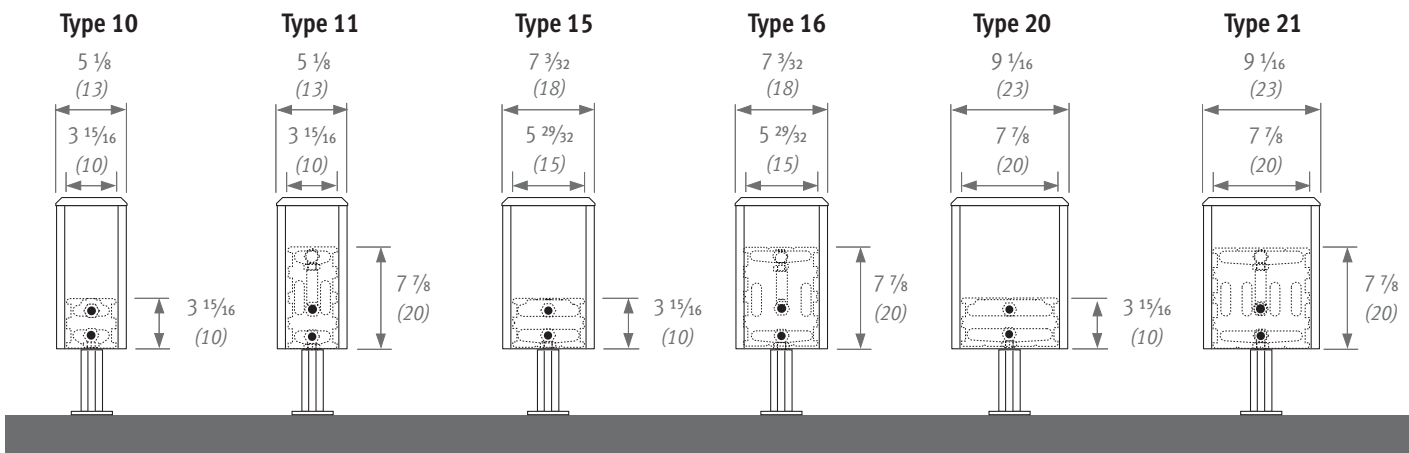
Type	d	h	D	c
11	3 15/16 (10)	7 7/8 (20)	5 1/8 (13)	2 43/64 (6.8)
16	5 29/32 (15)	7 7/8 (20)	7 3/32 (18)	3 21/32 (9.3)
21	7 7/8 (20)	7 7/8 (20)	9 1/16 (23)	4 41/64 (11.8)



## CONNECTION

Standard closed side panels /00.

Apply order code /20 or /70 for open side panel for thermostat.



Note: dimensions in "( )" are shown in centimeters.

The information in this technical brochure is correct at the time of printing. Jaga reserves the right to change product specification at any time in line with our policy of continuous improvement and innovation.

**!** The dimensions shown in the tables have been rounded off to 0.5".  
Dimensions in cm are exact. (1 cm = 0.394")

mean T °F (°C)		<b>TEMPO FREESTANDING TYPE 10</b>																	
		H	L 15.5" (040)	19.5" (050)	23.5" (060)	27.5" (070)	31.5" (080)	35.5" (090)	39.5" (100)	43.5" (110)	47" (120)	55" (140)	63" (160)	71" (180)	78.5" (200)	86.5" (220)	94.5" (240)	102.5" (260)	110" (280)
170 (76.7)	<b>8"</b>	1110	1390	1666	1946	2221	2501	2777	3056	3332	3887	4443	4998	5554	6109	6665	7220	7775	8331
160 (71.1)	(020)	964	1207	1446	1689	1928	2171	2410	2653	2893	3375	3857	4339	4821	5303	5786	6268	6750	7232
<b>130 (54.4)</b>		<b>564</b>	<b>706</b>	<b>846</b>	<b>988</b>	<b>1128</b>	<b>1270</b>	<b>1410</b>	<b>1552</b>	<b>1692</b>	<b>1974</b>	<b>2256</b>	<b>2538</b>	<b>2820</b>	<b>3102</b>	<b>3384</b>	<b>3666</b>	<b>3948</b>	<b>4230</b>
<b>110 (43.3)</b>		<b>335</b>	<b>420</b>	<b>503</b>	<b>587</b>	<b>671</b>	<b>755</b>	<b>838</b>	<b>923</b>	<b>1006</b>	<b>1174</b>	<b>1342</b>	<b>1509</b>	<b>1677</b>	<b>1845</b>	<b>2013</b>	<b>2180</b>	<b>2348</b>	<b>2516</b>
170 (76.7)	<b>12"</b>	1396	1748	2099	2446	2798	3145	3496	3848	4195	4893	5596	6294	6993	7691	8390	9093	9791	10490
160 (71.1)	(030)	1213	1519	1824	2126	2431	2733	3038	3343	3645	4252	4863	5470	6077	6684	7291	7901	8508	9115
<b>130 (54.4)</b>		<b>712</b>	<b>892</b>	<b>1071</b>	<b>1248</b>	<b>1427</b>	<b>1604</b>	<b>1784</b>	<b>1963</b>	<b>2140</b>	<b>2497</b>	<b>2855</b>	<b>3212</b>	<b>3568</b>	<b>3924</b>	<b>4281</b>	<b>4639</b>	<b>4996</b>	<b>5352</b>
<b>110 (43.3)</b>		<b>425</b>	<b>532</b>	<b>639</b>	<b>745</b>	<b>852</b>	<b>958</b>	<b>1065</b>	<b>1172</b>	<b>1277</b>	<b>1490</b>	<b>1704</b>	<b>1917</b>	<b>2130</b>	<b>2342</b>	<b>2555</b>	<b>2769</b>	<b>2982</b>	<b>3195</b>
170 (76.7)	<b>15.5"</b>	1627	2037	2443	2849	3255	3665	4071	4476	4886	5698	6514	7326	8142	8957	9769	10585	11397	12213
160 (71.1)	(040)	1415	1772	2125	2478	2831	3187	3540	3893	4250	4956	5666	6372	7081	7791	8497	9207	9913	10622
<b>130 (54.4)</b>		<b>834</b>	<b>1044</b>	<b>1252</b>	<b>1460</b>	<b>1668</b>	<b>1878</b>	<b>2086</b>	<b>2294</b>	<b>2504</b>	<b>2920</b>	<b>3338</b>	<b>3754</b>	<b>4172</b>	<b>4590</b>	<b>5006</b>	<b>5424</b>	<b>5840</b>	<b>6258</b>
<b>110 (43.3)</b>		<b>499</b>	<b>625</b>	<b>749</b>	<b>874</b>	<b>999</b>	<b>1124</b>	<b>1249</b>	<b>1374</b>	<b>1499</b>	<b>1749</b>	<b>1999</b>	<b>2248</b>	<b>2499</b>	<b>2749</b>	<b>2998</b>	<b>3249</b>	<b>3498</b>	<b>3748</b>
170 (76.7)	<b>19.5"</b>	1815	2271	2727	3178	3634	4086	4542	4998	5450	6357	7269	8177	9084	9992	10900	11811	12719	13627
160 (71.1)	(050)	1580	1977	2374	2767	3164	3557	3954	4351	4744	5534	6328	7118	7908	8699	9489	10283	11073	11863
<b>130 (54.4)</b>		<b>934</b>	<b>1168</b>	<b>1403</b>	<b>1636</b>	<b>1870</b>	<b>2103</b>	<b>2337</b>	<b>2572</b>	<b>2805</b>	<b>3272</b>	<b>3741</b>	<b>4208</b>	<b>4675</b>	<b>5142</b>	<b>5610</b>	<b>6079</b>	<b>6546</b>	<b>7013</b>
<b>110 (43.3)</b>		<b>561</b>	<b>702</b>	<b>843</b>	<b>983</b>	<b>1124</b>	<b>1263</b>	<b>1404</b>	<b>1545</b>	<b>1685</b>	<b>1966</b>	<b>2248</b>	<b>2529</b>	<b>2809</b>	<b>3090</b>	<b>3371</b>	<b>3653</b>	<b>3933</b>	<b>4214</b>

BTU/hr with 65°F (18.3°C) entering air and 1 GPM flow rate

mean T °F (°C)		<b>TEMPO FREESTANDING TYPE 11</b>																	
		H	L 15.5" (040)	19.5" (050)	23.5" (060)	27.5" (070)	31.5" (080)	35.5" (090)	39.5" (100)	43.5" (110)	47" (120)	55" (140)	63" (160)	71" (180)	78.5" (200)	86.5" (220)	94.5" (240)	102.5" (260)	110" (280)
170 (76.7)	<b>12"</b>	1907	2388	2865	3342	3819	4295	4772	5249	5726	6680	7638	8591	9545	10499	11452	12410	13364	14318
160 (71.1)	(030)	1651	2067	2480	2893	3306	3719	4132	4544	4957	5783	6612	7438	8264	9089	9915	10744	11570	12396
<b>130 (54.4)</b>		<b>956</b>	<b>1197</b>	<b>1436</b>	<b>1675</b>	<b>1914</b>	<b>2153</b>	<b>2392</b>	<b>2631</b>	<b>2870</b>	<b>3348</b>	<b>3828</b>	<b>4306</b>	<b>4784</b>	<b>5263</b>	<b>5741</b>	<b>6221</b>	<b>6699</b>	<b>7177</b>
<b>110 (43.3)</b>		<b>563</b>	<b>705</b>	<b>845</b>	<b>986</b>	<b>1127</b>	<b>1268</b>	<b>1408</b>	<b>1549</b>	<b>1690</b>	<b>1971</b>	<b>2254</b>	<b>2536</b>	<b>2817</b>	<b>3099</b>	<b>3380</b>	<b>3663</b>	<b>3945</b>	<b>4226</b>
170 (76.7)	<b>15.5"</b>	2153	2690	3226	3767	4303	4844	5380	5917	6457	7534	8607	9684	10761	11838	12915	13988	15065	16142
160 (71.1)	(040)	1865	2329	2793	3262	3726	4194	4658	5123	5591	6524	7452	8385	9317	10250	11183	12111	13044	13976
<b>130 (54.4)</b>		<b>1080</b>	<b>1349</b>	<b>1618</b>	<b>1889</b>	<b>2158</b>	<b>2429</b>	<b>2698</b>	<b>2967</b>	<b>3238</b>	<b>3778</b>	<b>4316</b>	<b>4856</b>	<b>5397</b>	<b>5937</b>	<b>6477</b>	<b>7015</b>	<b>7555</b>	<b>8095</b>
<b>110 (43.3)</b>		<b>636</b>	<b>794</b>	<b>953</b>	<b>1113</b>	<b>1271</b>	<b>1431</b>	<b>1589</b>	<b>1748</b>	<b>1907</b>	<b>2226</b>	<b>2543</b>	<b>2861</b>	<b>3179</b>	<b>3497</b>	<b>3815</b>	<b>4132</b>	<b>4450</b>	<b>4769</b>
170 (76.7)	<b>19.5"</b>	2357	2949	3541	4128	4720	5307	5899	6490	7078	8257	9440	10619	11798	12977	14156	15339	16518	17697
160 (71.1)	(050)	2041	2554	3066	3575	4087	4596	5108	5620	6129	7150	8174	9195	10216	11237	12258	13283	14304	15325
<b>130 (54.4)</b>		<b>1183</b>	<b>1479</b>	<b>1776</b>	<b>2071</b>	<b>2368</b>	<b>2663</b>	<b>2959</b>	<b>3256</b>	<b>3551</b>	<b>4143</b>	<b>4736</b>	<b>5328</b>	<b>5919</b>	<b>6511</b>	<b>7103</b>	<b>7696</b>	<b>8288</b>	<b>8879</b>
<b>110 (43.3)</b>		<b>697</b>	<b>872</b>	<b>1047</b>	<b>1220</b>	<b>1395</b>	<b>1569</b>	<b>1744</b>	<b>1919</b>	<b>2092</b>	<b>2441</b>	<b>2791</b>	<b>3140</b>	<b>3488</b>	<b>3837</b>	<b>4185</b>	<b>4535</b>	<b>4884</b>	<b>5233</b>

BTU/hr with 65°F (18.3°C) entering air and 1 GPM flow rate

mean T °F (°C)		<b>TEMPO FREESTANDING TYPE 15</b>																	
		H	L 15.5" (040)	19.5" (050)	23.5" (060)	27.5" (070)	31.5" (080)	35.5" (090)	39.5" (100)	43.5" (110)	47" (120)	55" (140)	63" (160)	71" (180)	78.5" (200)	86.5" (220)	94.5" (240)	102.5" (260)	110" (280)
170 (76.7)	<b>8"</b>	1847	2308	2770	3232	3694	4156	4617	5079	5541	6465	7388	8312	9235	10159	11082	12006	12930	13853
160 (71.1)	(020)	1604	2005	2406	2807	3208	3609	4010	4411	4813	5615	6417	7219	8021	8823	9626	10428	11230	12032
<b>130 (54.4)</b>		<b>940</b>	<b>1175</b>	<b>1410</b>	<b>1645</b>	<b>1880</b>	<b>2115</b>	<b>2350</b>	<b>2585</b>	<b>2820</b>	<b>3290</b>	<b>3761</b>	<b>4231</b>	<b>4701</b>	<b>5171</b>	<b>5641</b>	<b>6111</b>	<b>6581</b>	<b>7051</b>
<b>110 (43.3)</b>		<b>560</b>	<b>700</b>	<b>840</b>	<b>980</b>	<b>1120</b>	<b>1260</b>	<b>1400</b>	<b>1540</b>	<b>1680</b>	<b>1960</b>	<b>2241</b>	<b>2521</b>	<b>2801</b>	<b>3081</b>	<b>3361</b>	<b>3641</b>	<b>3921</b>	<b>4201</b>
170 (76.7)	<b>12"</b>	2300	2875	3446	4021	4596	5171	5746	6321	6897	8047	9193	10343	11493	12643	13794	14940	16090	17240
160 (71.1)	(030)	2000	2500	2997	3497	3997	4497	4997	5497	5997	6997	7994	8994	9995	10995	11995	12992	13992	14992
<b>130 (54.4)</b>		<b>1177</b>	<b>1472</b>	<b>1764</b>	<b>2058</b>	<b>2353</b>	<b>2647</b>	<b>2942</b>	<b>3236</b>	<b>3531</b>	<b>4120</b>	<b>4706</b>	<b>5295</b>	<b>5884</b>	<b>6473</b>	<b>7062</b>	<b>7648</b>	<b>8237</b>	<b>8826</b>
<b>110 (43.3)</b>		<b>704</b>	<b>881</b>	<b>1056</b>	<b>1232</b>	<b>1408</b>	<b>1584</b>	<b>1760</b>	<b>1937</b>	<b>2113</b>	<b>2465</b>	<b>2816</b>	<b>3169</b>	<b>3521</b>	<b>3874</b>	<b>4226</b>	<b>4577</b>	<b>4930</b>	<b>5282</b>
170 (76.7)	<b>15.5"</b>	2646	3309	3972	4635	5293	5956	6619	7282	7945	9266	10591	11913	13238	14564	15885	17211	18532	19858
160 (71.1)	(040)	2304	2881	3458	4035	4608	5185	5762	6339	6916	8066	9220	10371	11525	12679	13829	14983	16133	17287
<b>130 (54.4)</b>		<b>1362</b>	<b>1703</b>	<b>2044</b>	<b>2385</b>	<b>2724</b>	<b>3065</b>	<b>3406</b>	<b>3748</b>	<b>4089</b>	<b>4769</b>	<b>5451</b>	<b>6131</b>	<b>6813</b>	<b>7496</b>	<b>8176</b>	<b>8858</b>	<b>9538</b>	<b>10220</b>
<b>110 (43.3)</b>		<b>818</b>	<b>1023</b>	<b>1228</b>	<b>1433</b>	<b>1637</b>	<b>1842</b>	<b>2047</b>	<b>2252</b>	<b>2457</b>	<b>2865</b>	<b>3275</b>	<b>3684</b>	<b>4094</b>	<b>4504</b>	<b>4913</b>	<b>5323</b>	<b>5731</b>	<b>6141</b>
170 (76.7)	<b>19.5"</b>	2924	3653	4382	5115	5844	6577	7306	8035	8768	10231	11689	13151	14613	16075	17537	18995	20457	21920
160 (71.1)	(050)	2548	3184	3819	4458	5094	5733	6368	7003	7643	8917	10188	11462	12737	14011	15286	16556	17831	19105
<b>130 (54.4)</b>		<b>1513</b>	<b>1891</b>	<b>2268</b>	<b>2648</b>	<b>3025</b>	<b>3404</b>	<b>3782</b>	<b>4159</b>	<b>4539</b>	<b>5296</b>	<b>6050</b>	<b>6807</b>	<b>7564</b>	<b>8321</b>	<b>9078</b>	<b>9833</b>	<b>10590</b>	<b>11346</b>
<b>110 (43.3)</b>		<b>913</b>	<b>1141</b>	<b>1369</b>	<b>1598</b>	<b>1826</b>	<b>2055</b>	<b>2282</b>	<b>2510</b>	<b>2739</b>	<b>3196</b>	<b>3652</b>	<b>4108</b>	<b>4565</b>	<b>5022</b>	<b>5479</b>	<b>5935</b>	<b>6391</b>	<b>6848</b>

## TEMPO FREESTANDING TYPE 16

ORDER CODE: *code* *height* *length* *type* *color* *conn.*  
 TEMF. 030 040 16. 101 /00

mean T °F (°C)	H	L 15.5" (040)	19.5" (050)	23.5" (060)	27.5" (070)	31.5" (080)	35.5" (090)	39.5" (100)	43.5" (110)	47" (120)	55" (140)	63" (160)	71" (180)	78.5" (200)	86.5" (220)	94.5" (240)	102.5" (260)	110" (280)	118" (300)
170 (76.7)	<b>12"</b>	2526	3158	3790	4421	5053	5685	6316	6948	7580	8843	10106	11370	12633	13896	15160	16423	17686	18950
160 (71.1)	(030)	2184	2730	3276	3822	4368	4914	5460	6006	6552	7644	8736	9828	10920	12012	13104	14196	15288	16380
<b>130 (54.4)</b>		<b>1256</b>	<b>1571</b>	<b>1885</b>	<b>2199</b>	<b>2513</b>	<b>2828</b>	<b>3142</b>	<b>3456</b>	<b>3770</b>	<b>4399</b>	<b>5027</b>	<b>5656</b>	<b>6284</b>	<b>6912</b>	<b>7541</b>	<b>8169</b>	<b>8798</b>	<b>9426</b>
<b>110 (43.3)</b>		<b>735</b>	<b>919</b>	<b>1103</b>	<b>1287</b>	<b>1471</b>	<b>1655</b>	<b>1839</b>	<b>2023</b>	<b>2207</b>	<b>2575</b>	<b>2943</b>	<b>3311</b>	<b>3679</b>	<b>4047</b>	<b>4414</b>	<b>4782</b>	<b>5150</b>	<b>5518</b>
170 (76.7)	<b>15.5"</b>	2904	3630	4356	5082	5808	6534	7260	7986	8712	10164	11616	13068	14520	15972	17424	18876	20328	21780
160 (71.1)	(040)	2509	3136	3763	4391	5018	5645	6273	6900	7527	8782	10037	11291	12546	13800	15055	16310	17564	18819
<b>130 (54.4)</b>		<b>1441</b>	<b>1802</b>	<b>2162</b>	<b>2523</b>	<b>2883</b>	<b>3244</b>	<b>3604</b>	<b>3965</b>	<b>4325</b>	<b>5046</b>	<b>5767</b>	<b>6488</b>	<b>7209</b>	<b>7930</b>	<b>8651</b>	<b>9372</b>	<b>10093</b>	<b>10813</b>
<b>110 (43.3)</b>		<b>842</b>	<b>1053</b>	<b>1264</b>	<b>1475</b>	<b>1685</b>	<b>1896</b>	<b>2107</b>	<b>2317</b>	<b>2528</b>	<b>2950</b>	<b>3371</b>	<b>3792</b>	<b>4214</b>	<b>4635</b>	<b>5057</b>	<b>5478</b>	<b>5900</b>	<b>6321</b>
170 (76.7)	<b>19.5"</b>	3243	4055	4867	5679	6486	7298	8110	8922	9734	11354	12978	14597	16221	17845	19464	21088	22708	24332
160 (71.1)	(050)	2801	3502	4203	4905	5602	6304	7005	7706	8407	9806	11209	12608	14010	15413	16811	18214	19613	21015
<b>130 (54.4)</b>		<b>1607</b>	<b>2009</b>	<b>2411</b>	<b>2814</b>	<b>3214</b>	<b>3616</b>	<b>4019</b>	<b>4421</b>	<b>4823</b>	<b>5626</b>	<b>6431</b>	<b>7233</b>	<b>8038</b>	<b>8843</b>	<b>9645</b>	<b>10450</b>	<b>11253</b>	<b>12057</b>
<b>110 (43.3)</b>		<b>938</b>	<b>1173</b>	<b>1407</b>	<b>1642</b>	<b>1876</b>	<b>2111</b>	<b>2346</b>	<b>2580</b>	<b>2815</b>	<b>3284</b>	<b>3753</b>	<b>4222</b>	<b>4692</b>	<b>5161</b>	<b>5630</b>	<b>6100</b>	<b>6568</b>	<b>7038</b>

BTU/hr with 65°F (18.3°C) entering air and 1 GPM flow rate

## TEMPO FREESTANDING TYPE 20

ORDER CODE: *code* *height* *length* *type* *color* *conn.*  
 TEMF. 020 040 20. 101 /00

mean T °F (°C)	H	L 15.5" (040)	19.5" (050)	23.5" (060)	27.5" (070)	31.5" (080)	35.5" (090)	39.5" (100)	43.5" (110)	47" (120)	55" (140)	63" (160)	71" (180)	78.5" (200)	86.5" (220)	94.5" (240)	102.5" (260)	110" (280)	118" (300)
170 (76.7)	<b>8"</b>	2597	3245	3893	4541	5194	5842	6490	7138	7786	9087	10383	11684	12980	14277	15577	16874	18174	19471
160 (71.1)	(020)	2255	2818	3381	3944	4511	5074	5637	6200	6763	7893	9019	10148	11274	12400	13530	14656	15786	16912
<b>130 (54.4)</b>		<b>1321</b>	<b>1651</b>	<b>1981</b>	<b>2311</b>	<b>2643</b>	<b>2973</b>	<b>3303</b>	<b>3633</b>	<b>3963</b>	<b>4625</b>	<b>5285</b>	<b>5947</b>	<b>6607</b>	<b>7267</b>	<b>7929</b>	<b>8589</b>	<b>9251</b>	<b>9911</b>
<b>110 (43.3)</b>		<b>787</b>	<b>984</b>	<b>1180</b>	<b>1377</b>	<b>1575</b>	<b>1772</b>	<b>1968</b>	<b>2165</b>	<b>2361</b>	<b>2756</b>	<b>3149</b>	<b>3544</b>	<b>3937</b>	<b>4330</b>	<b>4724</b>	<b>5118</b>	<b>5512</b>	<b>5905</b>
170 (76.7)	<b>12"</b>	3222	4029	4837	5641	6448	7252	8059	8867	9671	11282	12897	14508	16119	17731	19342	20957	22568	24179
160 (71.1)	(030)	2802	3504	4206	4905	5607	6306	7009	7711	8410	9811	11215	12616	14018	15419	16820	18224	19625	21027
<b>130 (54.4)</b>		<b>1649</b>	<b>2063</b>	<b>2476</b>	<b>2888</b>	<b>3301</b>	<b>3712</b>	<b>4126</b>	<b>4540</b>	<b>4951</b>	<b>5776</b>	<b>6603</b>	<b>7428</b>	<b>8252</b>	<b>9077</b>	<b>9902</b>	<b>10729</b>	<b>11554</b>	<b>12379</b>
<b>110 (43.3)</b>		<b>987</b>	<b>1234</b>	<b>1482</b>	<b>1728</b>	<b>1975</b>	<b>2222</b>	<b>2469</b>	<b>2717</b>	<b>2963</b>	<b>3457</b>	<b>3951</b>	<b>4445</b>	<b>4939</b>	<b>5433</b>	<b>5926</b>	<b>6421</b>	<b>6915</b>	<b>7409</b>
170 (76.7)	<b>15.5"</b>	3705	4634	5563	6487	7416	8340	9269	10197	11122	12975	14832	16685	18538	20391	22244	24101	25954	27807
160 (71.1)	(040)	3226	4035	4843	5648	6456	7261	8070	8878	9683	11296	12913	14527	16140	17753	19367	20984	22597	24210
<b>130 (54.4)</b>		<b>1908</b>	<b>2386</b>	<b>2864</b>	<b>3340</b>	<b>3818</b>	<b>4294</b>	<b>4772</b>	<b>5251</b>	<b>5727</b>	<b>6681</b>	<b>7637</b>	<b>8591</b>	<b>9545</b>	<b>10500</b>	<b>11454</b>	<b>12410</b>	<b>13364</b>	<b>14318</b>
<b>110 (43.3)</b>		<b>1147</b>	<b>1434</b>	<b>1722</b>	<b>2008</b>	<b>2295</b>	<b>2581</b>	<b>2869</b>	<b>3156</b>	<b>3442</b>	<b>4016</b>	<b>4591</b>	<b>5164</b>	<b>5738</b>	<b>6311</b>	<b>6885</b>	<b>7460</b>	<b>8034</b>	<b>8607</b>
170 (76.7)	<b>19.5"</b>	4087	5111	6131	7155	8174	9198	10218	11242	12262	14305	16349	18393	20436	22480	24524	26567	28611	30655
160 (71.1)	(050)	3562	4455	5343	6236	7125	8017	8906	9798	10687	12469	14250	16031	17812	19594	21375	23156	24938	26719
<b>130 (54.4)</b>		<b>2115</b>	<b>2645</b>	<b>3173</b>	<b>3703</b>	<b>4231</b>	<b>4761</b>	<b>5289</b>	<b>5819</b>	<b>6347</b>	<b>7405</b>	<b>8463</b>	<b>9521</b>	<b>10579</b>	<b>11637</b>	<b>12694</b>	<b>13752</b>	<b>14810</b>	<b>15868</b>
<b>110 (43.3)</b>		<b>1277</b>	<b>1596</b>	<b>1915</b>	<b>2235</b>	<b>2554</b>	<b>2874</b>	<b>3192</b>	<b>3512</b>	<b>3831</b>	<b>4469</b>	<b>5108</b>	<b>5746</b>	<b>6385</b>	<b>7023</b>	<b>7662</b>	<b>8300</b>	<b>8939</b>	<b>9577</b>

BTU/hr with 65°F (18.3°C) entering air and 1 GPM flow rate

## TEMPO FREESTANDING TYPE 21

ORDER CODE: *code* *height* *length* *type* *color* *conn.*  
 TEMF. 030 040 21. 101 /00

mean T °F (°C)	H	L 15.5" (040)	19.5" (050)	23.5" (060)	27.5" (070)	31.5" (080)	35.5" (090)	39.5" (100)	43.5" (110)	47" (120)	55" (140)	63" (160)	71" (180)	78.5" (200)	86.5" (220)	94.5" (240)	102.5" (260)	110" (280)	118" (300)
170 (76.7)	<b>12"</b>	3330	4164	4998	5832	6661	7495	8329	9163	9997	11660	13328	14991	16659	18326	19990	21657	23321	24988
160 (71.1)	(030)	2875	3595	4315	5035	5751	6471	7191	7911	8631	10067	11506	12943	14382	15822	17258	18698	20134	21574
<b>130 (54.4)</b>		<b>1647</b>	<b>2059</b>	<b>2472</b>	<b>2884</b>	<b>3294</b>	<b>3707</b>	<b>4119</b>	<b>4532</b>	<b>4944</b>	<b>5767</b>	<b>6592</b>	<b>7414</b>	<b>8239</b>	<b>9064</b>	<b>9887</b>	<b>10711</b>	<b>11534</b>	<b>12359</b>
<b>110 (43.3)</b>		<b>960</b>	<b>1200</b>	<b>1440</b>	<b>1681</b>	<b>1920</b>	<b>2160</b>	<b>2401</b>	<b>2641</b>	<b>2881</b>	<b>3361</b>	<b>3842</b>	<b>4321</b>	<b>4802</b>	<b>5283</b>	<b>5762</b>	<b>6243</b>	<b>6722</b>	<b>7203</b>
170 (76.7)	<b>15.5"</b>	3896	4868	5840	6816	7788	8765	9737	10708	11685	13633	15577	17525	19474	21422	23370	25314	27262	29211
160 (71.1)	(040)	3361	4199	5037	5880	6718	7560	8398	9237	10079	11760	13436	15117	16797	18478	20159	21835	23516	25196
<b>130 (54.4)</b>		<b>1918</b>	<b>2397</b>	<b>2876</b>	<b>3357</b>	<b>3835</b>	<b>4316</b>	<b>4795</b>	<b>5273</b>	<b>5754</b>	<b>6714</b>	<b>7671</b>	<b>8630</b>	<b>9590</b>	<b>10549</b>	<b>11509</b>	<b>12466</b>	<b>13425</b>	<b>14385</b>
<b>110 (43.3)</b>		<b>1114</b>	<b>1392</b>	<b>1670</b>	<b>1950</b>	<b>2228</b>	<b>2507</b>	<b>2785</b>	<b>3063</b>	<b>3343</b>	<b>3900</b>	<b>4456</b>	<b>5013</b>	<b>5571</b>	<b>6128</b>	<b>6686</b>	<b>7242</b>	<b>7799</b>	<b>8356</b>
170 (76.7)	<b>19.5"</b>	4428	5534	6640	7746	8857	9963	11069	12175	13281	15498	17710	19926	22138	24351	26567	28779	30996	33208
160 (71.1)	(050)	3817	4770	5723	6677	7634	8587	9540	10494	11447	13357	15264	17174	19081	20988	22898	24805	26715	28622
<b>130 (54.4)</b>		<b>2172</b>	<b>2715</b>	<b>3257</b>	<b>3800</b>	<b>4345</b>	<b>4887</b>	<b>5430</b>	<b>5973</b>	<b>6515</b>	<b>7603</b>	<b>8688</b>	<b>9775</b>	<b>10860</b>	<b>11946</b>	<b>13033</b>	<b>14118</b>	<b>15206</b>	<b>16291</b>
<b>110 (43.3)</b>		<b>1258</b>	<b>1572</b>	<b>1887</b>	<b>2201</b>	<b>2516</b>	<b>2831</b>	<b>3145</b>	<b>3459</b>	<b>3774</b>	<b>4403</b>	<b>5032</b>	<b>5662</b>	<b>6290</b>	<b>6919</b>	<b>7549</b>	<b>8177</b>	<b>8807</b>	<b>9436</b>

BTU/hr with 65°F (18.3°C) entering air and 1 GPM flow rate

