



Energy
SAVERS
LOW-H₂O



jaga

MINI CANAL

Warm power
with minimum recess depth

WWW.JAGA-USA.COM
WWW.JAGA-CANADA.COM





MINI CANAL
Underfloor unit



WARM POWER, MINIMUM RECESS DEPTH

Minimum recess depth, maximum heat. Mini Canal starts at 3.5" (9 cm). That is why it is the perfect solution for multiple storeys or raised floors. Mini Canal is a pre-assembled trench heater.. Hidden behind the grille is an ultra fast Low-H₂O element. An ideal complement to in-floor heating systems, but powerful enough to serve as a primary heat source. Mini Canal is available in lengths from 43" (110 cm) to 193" (490 cm).

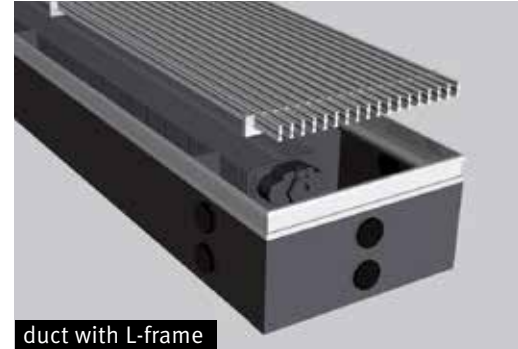
DIMENSIONS

OUTPUT (BTU/foot)

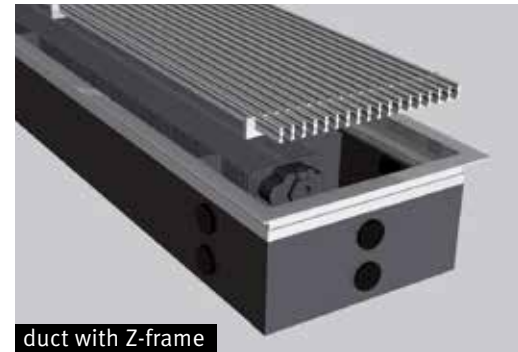
H	Type	d	h	D	Designo roll-up wooden grille	Designo rigid aluminum grille	Accordion roll-up aluminum grille	Pebbles rigid aluminum grille
3 35/64 (9)	04	2 (5)	2 (5)	5.5 (14)	198	207	160	---
	09	4 (10)	2 (5)	7 (18)	235	245	189	---
	09	4 (10)	2 (5)	10 (26)	309	322	249	282
	14	6 (15)	2 (5)	13.5 (34)	400	417	323	366
	19	8 (20)	2 (5)	16.5 (42)	578	603	466	528
4 21/64 (11)	04	2 (5)	2 (5)	5.5 (14)	227	237	183	---
	09	4 (10)	2 (5)	7 (18)	269	281	217	---
	09	4 (10)	2 (5)	10 (26)	364	379	293	332
	14	6 (15)	2 (5)	13.5 (34)	472	493	381	432
	19	8 (20)	2 (5)	16.5 (42)	664	692	536	607
5 33/64 (14)	05	2 (5)	4 (10)	5.5 (14)	258	269	208	---
	10	4 (10)	4 (10)	10 (26)	448	468	362	410
	15	6 (15)	4 (10)	13.5 (34)	611	637	493	558
	20	8 (20)	4 (10)	16.5 (42)	824	859	665	753
7 31/64 (19)	10	4 (10)	4 (10)	10 (26)	509	531	411	466
	15	6 (15)	4 (10)	13.5 (34)	689	719	556	630
	20	8 (20)	4 (10)	16.5 (42)	947	988	763	865

Note: dimensions in "() " are shown in centimeters.

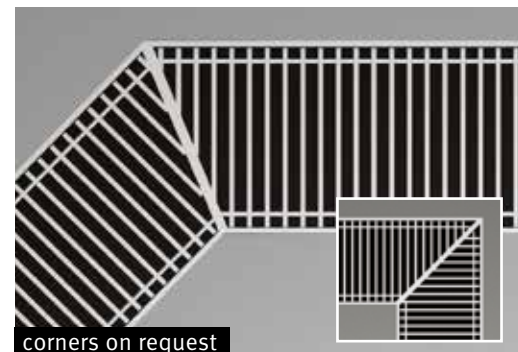
Average output in BTU/h foot with 65°F (18.3°C) entering air and 1 GPM flow rate. Mean water temperature of 160°F (71.1°C).



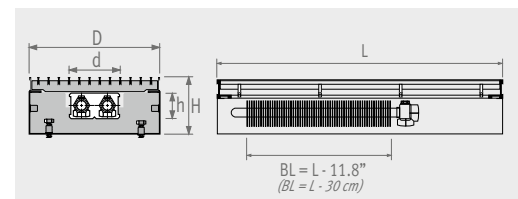
duct with L-frame



duct with Z-frame



corners on request

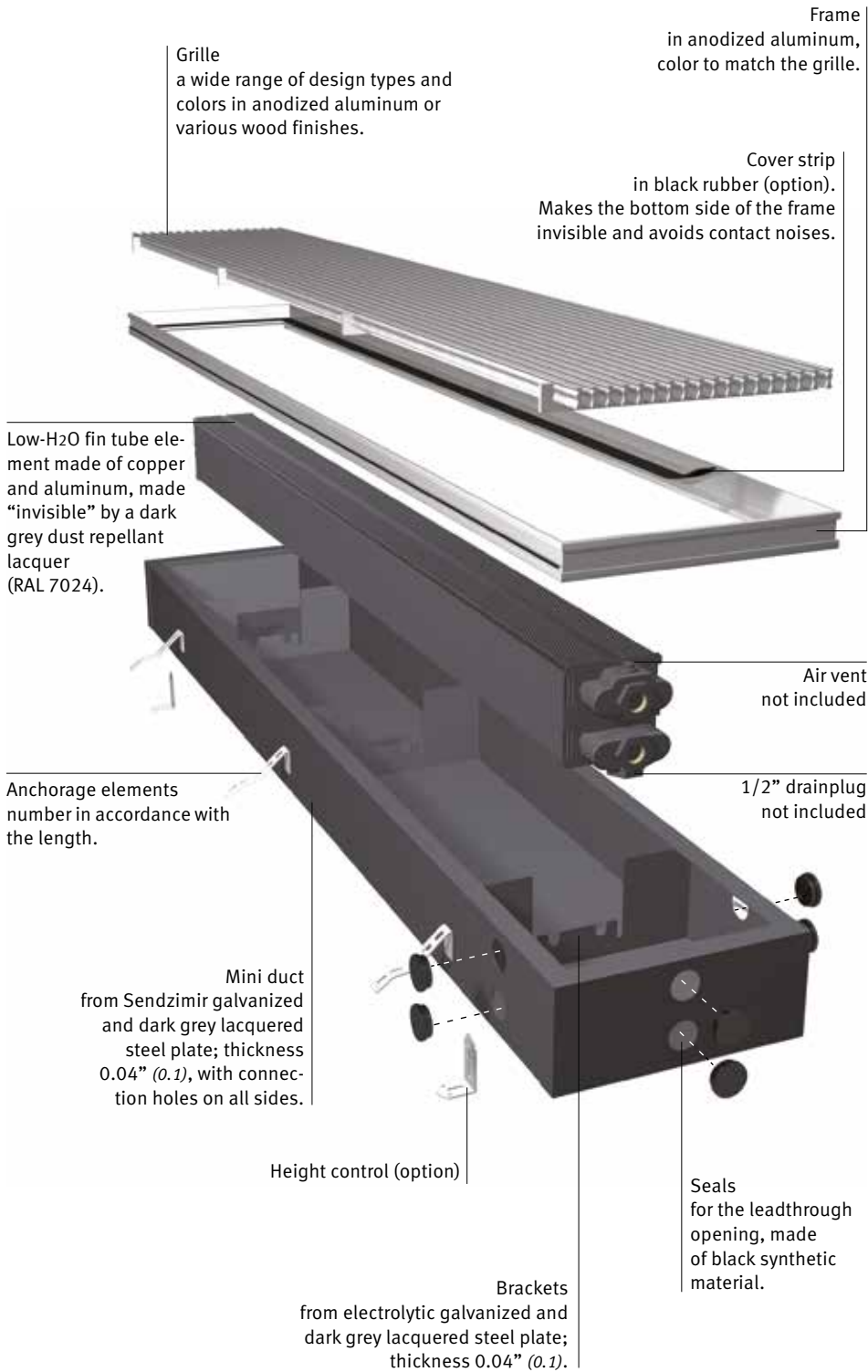


Example output calculation

Output of Mini Canal H 14 - D 34 - L 290 with a Designo rigid aluminum grille

$$637 \text{ BTU/h} \times \frac{(114.2 - 11.8)}{12} = 5436 \text{ BTU/h}$$

MINI CANAL COMPOSITION



THE MOST POWERFUL HEAT EMITTERS



Significant energy savings

The most efficient and modern fin tube element, that complies with actual AND future building standards and technologies.

For all low temperature hydronic systems

Perfectly suited for condensing boilers, heat pumps and solar systems.

The perfect partner for radiant heating for improved temperature control and energy efficiency.

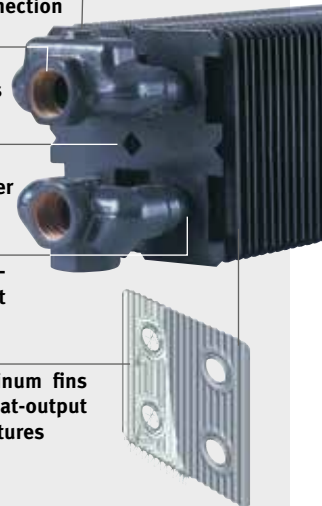
1/8" NPTF airvent connection

Brass collectors with 1/2" NPTF connections

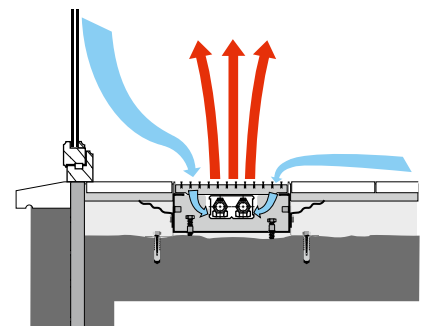
With dirt-repellent and dust-proof lacquer in graphite grey

Up to 16 parallel copper tubes for the best heat emission

55 Corrugated aluminum fins per foot for super heat-output at low water temperatures



OPERATING PRINCIPLE



OVERVIEW GRILLES

DESIGNO ROLL-UP WOODEN GRILLES

Merbau natural **DMN** Designo Merbau Natural
 Oak natural **DON** Designo Oak Natural
 Beech natural **DBN** Designo Beech Natural



Roll-up natural or varnished grille with natural color anodized aluminum distance pieces. Frame in natural colored anodized aluminum. Free air flow 52%.

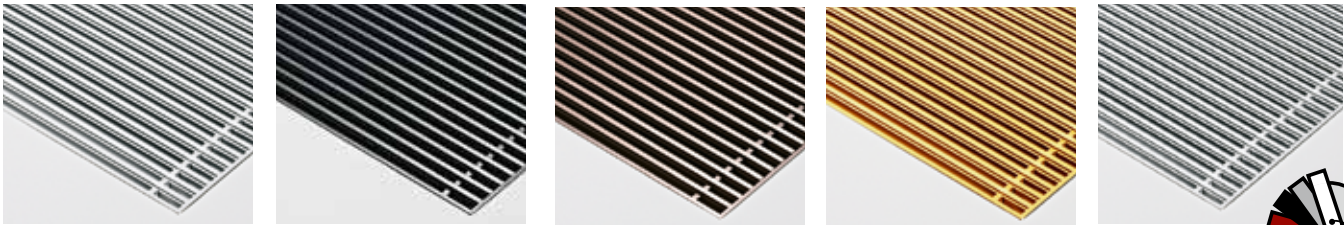
Roll-up grilles are not intended for regular foot traffic in commercial applications.

Merbau varnished **DMV** Designo Merbau Varnished
 Oak varnished **DOV** Designo Oak Varnished
 Beech varnished **DBV** Designo Beech Varnished



DESIGNO RIGID ALUMINUM GRILLES - (6MM 0,25" HEEL PROOF)

Natural colored **ENA** Natural (6mm 0,25" heel proof)
 Black **EBL** Black (6mm 0,25" heel proof)
 Dark brown **EDB** Dark Brown (6mm 0,25" heel proof)
 Brass colored **EBR** BRASS (6mm 0,25" heel proof)
 Painted **COLOR/ENC** Natural Color (6mm 0,25" heel proof)



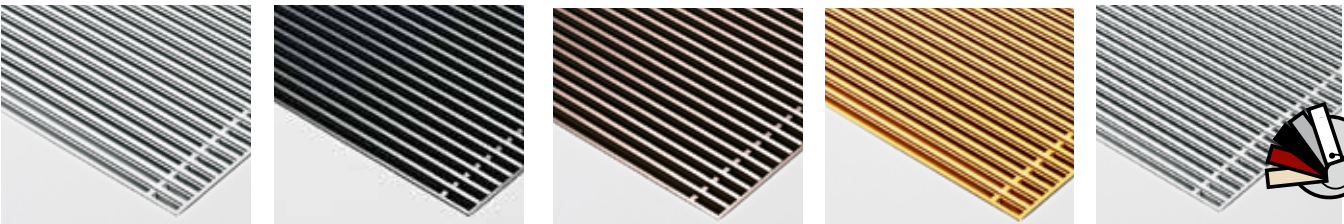
Rigid anodized aluminum grille. Frame in the same color.



32 colors

DESIGNO RIGID ALUMINUM GRILLES

Natural colored **DNA** Natural
 Black **DBL** Black
 Dark brown **ddb** Dark Brown
 Brass colored **DBR** BRASS
 Painted **COLOR/DNC** Natural Color

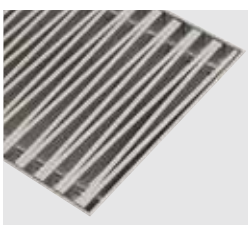


Rigid anodized aluminum grille. Frame in the same color.

32 colors

ACCORDION ROLL-UP ALUMINUM GRILLE

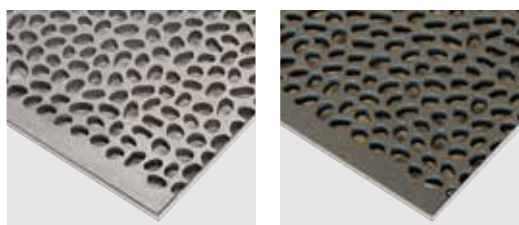
Natural colored **ANA** Accordion Natural



Rollable anodized aluminum grille exists of slightly curved slats, with transparent spacers. The frame is made of the same material as the grille. Free air flow 55%.

PEBBLES RIGID ALUMINUM GRILLE

Natural **PNC/026** Pebbles Natural Color
 Sandblast grey **PNC/028** Pebbles Natural Color



Rigid grille made of cast aluminum. The pebbles is available as "grille tiles" of 19.5" (50 cm) long and a thickness of 19.7" (1 cm). To customise the length, the end tile will be made on size with a minimal length of 8" (20 cm). Free air flow 66%.