



jaga

EN 442

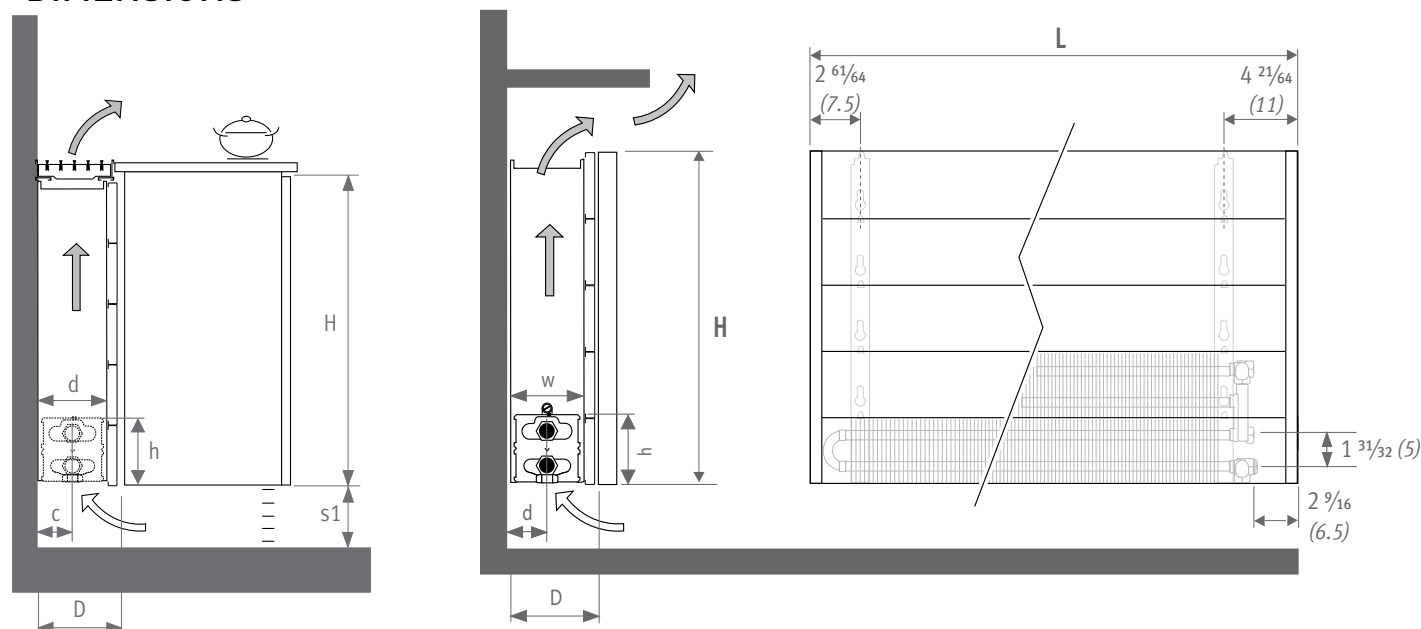
LOW H<sub>2</sub>O

30 YEAR GUARANTEE

# BUILD-IN WALL

Dimensions & heat output

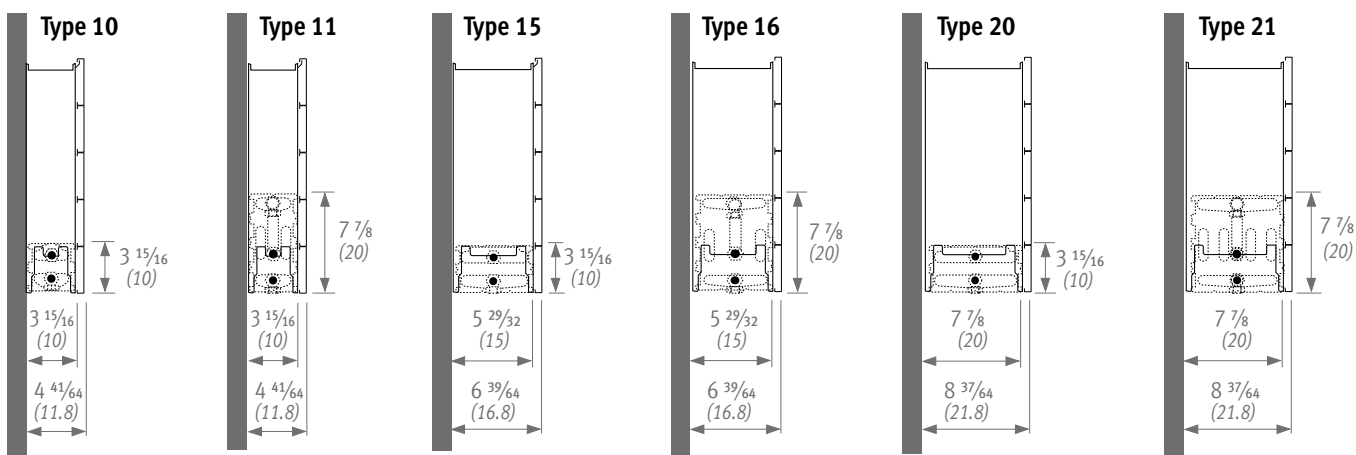
## DIMENSIONS



\* Smaller dimensions can decrease output.

Type	d	h	D	c	s1*	s2*
10	3 15/16 (10)	3 15/16 (10)	4 41/64 (11.8)	2 3/64 (5.2)	3 15/16 (10)	3 15/16 (10)
15	5 29/32 (15)	3 15/16 (10)	6 39/64 (16.8)	3 1/32 (7.7)	4 23/32 (12)	4 23/32 (12)
20	7 7/8 (20)	3 15/16 (10)	8 37/64 (21.8)	4 1/64 (10.2)	5 29/32 (15)	5 29/32 (15)

Type	d	h	D	c	s1*	s2*
11	3 15/16 (10)	7 7/8 (20)	4 41/64 (11.8)	2 3/64 (5.2)	3 15/16 (10)	3 15/16 (10)
16	5 29/32 (15)	7 7/8 (20)	6 39/64 (16.8)	3 1/32 (7.7)	4 23/32 (12)	4 23/32 (12)
21	7 7/8 (20)	7 7/8 (20)	8 37/64 (21.8)	4 1/64 (10.2)	5 29/32 (15)	5 29/32 (15)



Note: dimensions in “( )” are shown in centimeters.

The information in this technical brochure is correct at the time of printing. Jaga reserves the right to change product specification at any time in line with our policy of continuous improvement and innovation.





