



jaga

Eyecatchers

VERTIGA

2018



VERTIGA

The new benchmark for design at super-low water temperatures

The ultimate expression of form and function. Vertiga combines power of efficiency design.

Vertiga is a completely new type of low temperature radiator for heat pumps and modulating condensing boilers. Two vertically installed coils with fan assisted forced air flow achieve ultra-high power even at super-low water temperatures.

Due to its low thermal mass and the ultra-conductive materials, Jaga's technology responds extremely quick and ensures optimal comfort whilst it's proven to be much more energy efficient.

Primo, Kirei, Dunes, Glow: different finishes, materials and colors allow a look that suits every interior

VERTIGA KIREI



VERTIGA



TOP PERFORMANCE

Vertical forced flow convector with high output even at low water temperatures

VERTIGA PRIMO

Casing Primo model,
In powder coated

Easy to install fully pre-assembled cassette

Whisper-quiet boosters

Sound insulation for a whisper-quiet operation

2 Corrosion-free Low-H₂O heat exchangers in copper/aluminium

Pre-perforated openings for electrical cabling

12V power supply and automatic control

Whisper-quiet boosters

Pencil-proof air intake at the top and bottom

Centre connection, 1/2" NPT



Hidden vertical design grilles distribute the warm air all around the room

UNIQUE DESIGN PERFORMANCE

Perfect warm-up of the room through horizontal heat distribution across the complete height of the radiator

9x faster warm-up

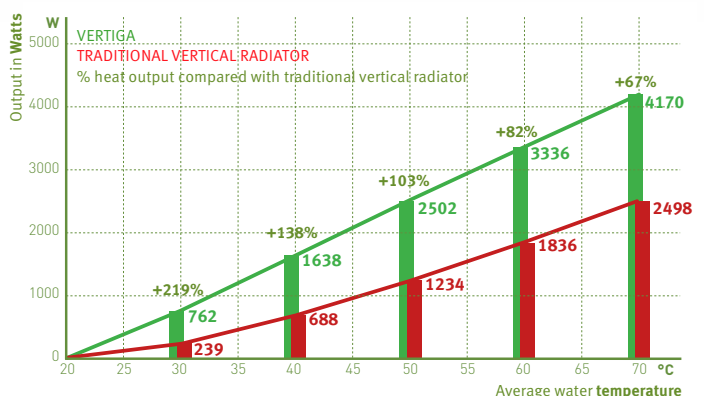
Very high power even at super-low water temperatures

10 to 30% energy savings compared with radiant floor heating or steel radiators

Stand alone system with integrated speed control based on the water temperature supplied to the unit.

OUTPUT BASED ON WATER TEMPERATURE

Comparing Vertiga and a traditional vertical radiator of the same size
Sound pressure Vertiga max. 28 db(A)(in medium mode).



THE EYECATCHER FACTOR

VERTIGA DUNES



The shadow effect of swirling sand in desert dunes was the inspiration for these artistically milled panels. A 'mirage' of lines that give extra depth to your interior. Air flows and mirages that continue to enchant your space.



VERTIGA KIREI



Kirei: the Japanese character for 'pure' and 'beautiful'. A suitable name for a panel consisting entirely of natural materials. Kirei is also the inedible part of soya. The material that used to be thrown away after the soya harvest now has new lease of life in this radiator. The result an organic radiator with natural shading that brings warmth, character and life to every wall.



VERTIGA GLOW



The monolithic glow of black or high-gloss white. The Vertigo Glow reflects the space in its super high gloss finish. This brand new material has the depth of piano lacquer. An icon of simplicity and style.



VERTIGA PRIMO

Basic version with powder coated metal casing. Standard in white (133).

Other colours: see Jaga colour chart.
Only available in soft touch (code 1..), smooth satin (code 3..) and special colours.

Not available in smooth glossy (code 2..).

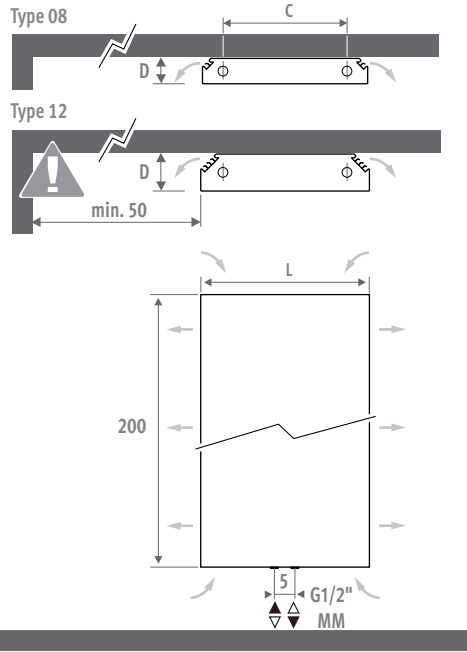
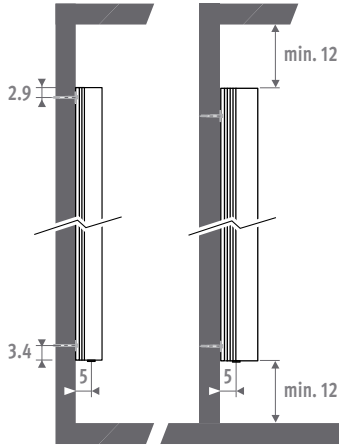
<< PRIMO side view on the rear vertical design grille.

VERTIGA



DIMENSIONS (in cm)

Primo	D = 9.2			D = 13.2		
Glow	D = 11.5			D = 15.8		
Dunes	D = 11.5			D = 15.8		
Kirei	D = 11.5			D = 15.8		
L	41	52	65	53	70	90
C	20.6	31.6	44.6	27.8	44.8	64.8



ORDERING CODE

code height length type colour conn.
VERW. 200 041 08 /XXX /MM

Primo **PRI/XXX**
 Glow **GLO/XXX**
 Kirei **KIR**
 Dunes **DUN/XXX**

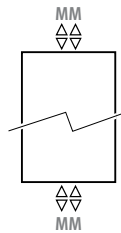
DELIVERY

- front panel can be clicked in easily
- fully pre-assembled wall cassette with vertical grilles for air outlet at the left and right side
- pencil-proof grille for air inlet at the bottom and top end
- pre-perforated openings for electrical connection
- central connection MM (MM Bottom or Top)
- mounted 3-speed control

HYDRAULIC CONNECTION

Standard connection:
 central connection MM below or on top, flow left or right.

Top connection:
 the radiator is symmetrical and can be mounted either way up. Provide an air vent on the central heating pipework above the radiator.



ELECTRIC CONNECTION

Equipped with pre-perforated openings and 115VAC/60HZ clamp connector.

3-SPEED CONTROL

User friendly operation with three pre-sets and LED indication, mounted on the side of the Vertiga



COLOURS

Primo

Environmentally friendly, scratch-resistant, high UV resistant powder coating.

Standard colours:

- traffic white RAL 9016 (133), soft touch lightly structured satin lacquer

Other colours: see colour chart.

Only available in soft touch (code 1..), smooth satin (code 3..) and special colours.

Not available in smooth glossy (code 2..).

Glow

Casing in super high-gloss HPL with piano paint effect.

Colours:

- white: code WHI
- black: code BLA

Kirei

Casing from "Kirei", protected with a water-based parquet varnish extra matt, natural effect (gloss level <10%).

Wall cassette in sandblast grey metallic (001).

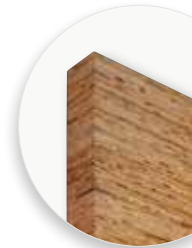
Dunes

Casing in milled MDF with matt paint in fine sand structure.

Colour white: code N01

VERTIGA H 200

VERW.200 041 08/XXX/MM



	Type	Watts 75/65/20°C			Watts 55/45/20°C			Watts 35/30/20°C		
		max.	med.	min.	max.	med.	min.	max.	med.	min.
L										
041	08	1620	1449	1315	963	861	781	400	357	324
052	08	2289	1633	1428	1361	971	849	565	403	352
065	08	3042	1872	1641	1808	1113	975	750	462	405
053	12	2925	2374	2054	1738	1411	1221	721	585	507
070	12	4362	3808	2941	2593	2263	1748	1076	939	725
090	12	5605	4758	3461	3332	2828	2057	1382	1173	854

Output at 20°C room temperature

Correction factors: see p. 376

Pressure drop: see p. 385

TECHNICAL DATA FOR ALL MODELS

	SOUND PRESSURE		
	dB(A)		
	max.	med.	min.
L			
041	32.6	28.0	25.0
052	37.2	28.0	25.0
065	39.3	28.0	25.0
053	27.9	26.3	25.0
070	29.8	28.0	25.0
090	32.3	28.0	25.0

The information in this brochure is correct at the time of printing.
Jaga reserves the right to change product specification at any time in line
with our policy of continuous improvement and innovation.