

jaga

EN 442

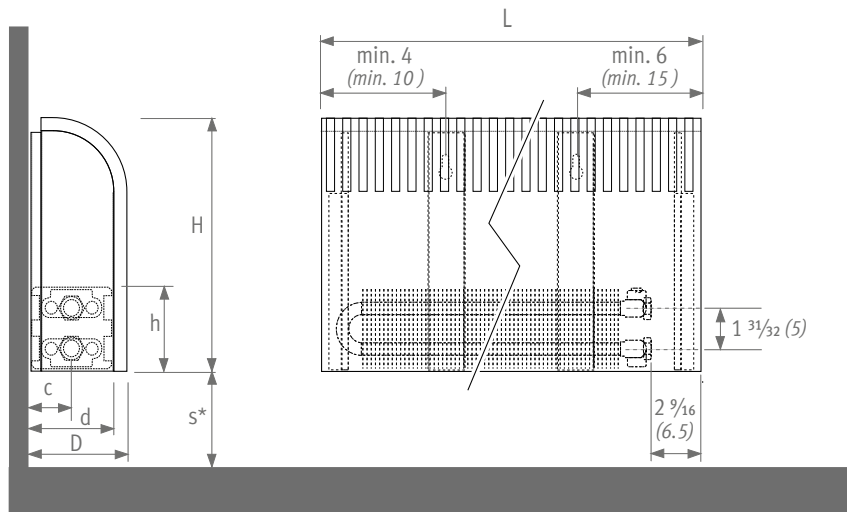
LOW H₂O

30 YEAR GUARANTEE

KNOCKONWOOD

Dimensions & heat output

DIMENSIONS

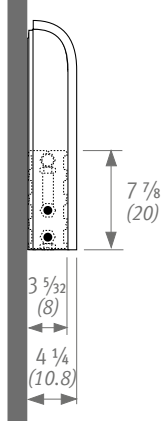


* Smaller dimensions can decrease output.

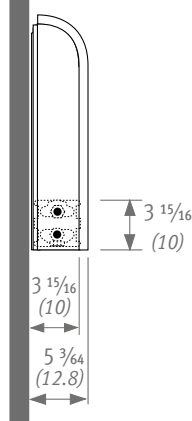
Type	d	h	D	c	s
10	3 15/16 (10)	3 15/16 (10)	5 3/64 (12.8)	2 3/64 (5.2)	3 15/16 (10)
15	5 29/32 (15)	3 15/16 (10)	7 1/64 (17.8)	3 1/32 (7.7)	4 23/32 (12)

Type	d	h	D	c	s
06	3 5/32 (8)	7 7/8 (20)	4 1/4 (10.8)	1 13/16 (4.6)	3 15/16 (10)
11	3 15/16 (10)	7 7/8 (20)	5 3/64 (12.8)	2 3/64 (5.2)	3 15/16 (10)
16	5 29/32 (15)	7 7/8 (20)	7 1/64 (17.8)	3 1/32 (7.7)	4 23/32 (12)

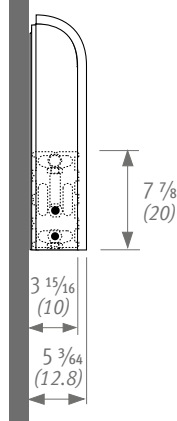
Type 06



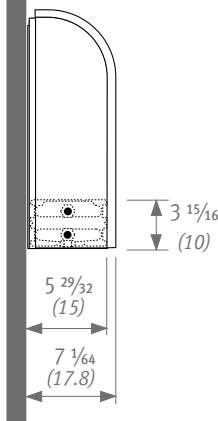
Type 10



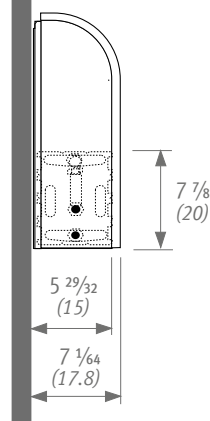
Type 11



Type 15



Type 16



Note: dimensions in “()” are shown in centimeters.

The information in this technical brochure is correct at the time of printing. Jaga reserves the right to change product specification at any time in line with our policy of continuous improvement and innovation.



The dimensions shown in the tables have been rounded off to 0.5".
Dimensions in cm are exact. (1 cm = 0.394")

KNOCKONWOOD TYPE 06

mean T °F (°C)	H	L 23.5"	31.5"	39.5"	47"	55"	71"	86.5"
		(060)	(080)	(100)	(120)	(140)	(180)	(220)
170 (76.7)	12"	1775	2364	2958	3551	4140	5323	6509
160 (71.1)	(030)	1534	2043	2556	3069	3578	4600	5626
130 (54.4)		882	1175	1470	1765	2058	2646	3236
110 (43.3)		516	688	860	1033	1204	1548	1894
170 (76.7)	21.5"	2358	3146	3933	4721	5509	7080	8655
160 (71.1)	(055)	2042	2724	3405	4087	4769	6129	7493
130 (54.4)		1182	1577	1972	2366	2761	3549	4338
110 (43.3)		696	928	1161	1393	1626	2090	2555
170 (76.7)	31.5"	2738	3651	4564	5476	---	---	---
160 (71.1)	(080)	2375	3166	3958	4750	---	---	---
130 (54.4)		1384	1846	2307	2769	---	---	---
110 (43.3)		820	1094	1368	1641	---	---	---

BTU/hr with 65°F (18.3°C) entering air and 1 GPM flow rate

code height length type wood conn.

ORDER CODE: KNOW. 030 060 06. XXX /00

Find the wood finish on the color chart.

KNOCKONWOOD TYPE 10

mean T °F (°C)	H	L 23.5"	31.5"	39.5"	47"	55"	71"	86.5"
		(060)	(080)	(100)	(120)	(140)	(180)	(220)
170 (76.7)	12"	1928	2572	3216	3860	4504	5789	7077
160 (71.1)	(030)	1667	2224	2781	3338	3895	5005	6119
130 (54.4)		960	1281	1602	1923	2244	2883	3525
110 (43.3)		562	751	939	1127	1315	1690	2066
170 (76.7)	21.5"	2795	3727	4659	5591	6523	8387	10250
160 (71.1)	(055)	2428	3237	4047	4856	5666	7285	8904
130 (54.4)		1423	1898	2372	2847	3322	4271	5220
110 (43.3)		848	1131	1414	1697	1980	2546	3111
170 (76.7)	31.5"	3272	4361	5450	6540	---	---	---
160 (71.1)	(080)	2855	3806	4756	5707	---	---	---
130 (54.4)		1703	2270	2837	3405	---	---	---
110 (43.3)		1032	1376	1720	2064	---	---	---

BTU/hr with 65°F (18.3°C) entering air and 1 GPM flow rate

KNOCKONWOOD TYPE 11

mean T °F (°C)	H	L 23.5"	31.5"	39.5"	47"	55"	71"	86.5"
		(060)	(080)	(100)	(120)	(140)	(180)	(220)
170 (76.7)	12"	2218	2959	3700	4441	5182	6659	8141
160 (71.1)	(030)	1906	2542	3179	3816	4452	5722	6995
130 (54.4)		1072	1430	1788	2146	2504	3218	3935
110 (43.3)		614	819	1024	1229	1434	1843	2253
170 (76.7)	21.5"	3079	4108	5133	6158	7187	9241	11291
160 (71.1)	(055)	2653	3540	4423	5306	6193	7963	9730
130 (54.4)		1509	2013	2515	3018	3522	4529	5534
110 (43.3)		873	1165	1456	1746	2038	2621	3203
170 (76.7)	31.5"	3607	4811	6015	7219	---	---	---
160 (71.1)	(080)	3117	4158	5198	6239	---	---	---
130 (54.4)		1792	2391	2989	3587	---	---	---
110 (43.3)		1048	1398	1748	2098	---	---	---

BTU/hr with 65°F (18.3°C) entering air and 1 GPM flow rate

KNOCKONWOOD TYPE 15

mean T °F (°C)	H	L 23.5"	31.5"	39.5"	47"	55"	71"	86.5"
		(060)	(080)	(100)	(120)	(140)	(180)	(220)
170 (76.7)	12"	2934	3913	4893	5872	6852	8807	10766
160 (71.1)	(030)	2539	3387	4235	5083	5931	7623	9319
130 (54.4)		1469	1960	2450	2941	3431	4410	5391
110 (43.3)		864	1153	1442	1730	2019	2595	3172
170 (76.7)	21.5"	4228	5639	7050	8461	9871	12689	15511
160 (71.1)	(055)	3679	4907	6135	7362	8590	11042	13498
130 (54.4)		2172	2896	3621	4346	5071	6518	7968
110 (43.3)		1303	1738	2173	2607	3042	3911	4781
170 (76.7)	31.5"	4881	6507	8133	9759	---	---	---
160 (71.1)	(080)	4270	5692	7114	8537	---	---	---
130 (54.4)		2571	3427	4283	5140	---	---	---
110 (43.3)		1572	2096	2620	3143	---	---	---

BTU/hr with 65°F (18.3°C) entering air and 1 GPM flow rate

KNOCKONWOOD TYPE 16

mean T °F (°C)	H	L 23.5"	31.5"	39.5"	47"	55"	71"	86.5"
		(060)	(080)	(100)	(120)	(140)	(180)	(220)
170 (76.7)	12"	3228	4302	5380	6457	7531	9682	11837
160 (71.1)	(030)	2780	3704	4632	5560	6484	8336	10192
130 (54.4)		1576	2100	2626	3152	3677	4727	5779
110 (43.3)		909	1212	1515	1819	2121	2728	3335
170 (76.7)	21.5"	4553	6074	7591	9107	10628	13665	16698
160 (71.1)	(055)	3926	5238	6545	7853	9165	11784	14399
130 (54.4)		2239	2987	3732	4478	5226	6720	8211
110 (43.3)		1299	1733	2166	2598	3032	3899	4765
170 (76.7)	31.5"	5504	7342	9176	11009	---	---	---
160 (71.1)	(080)	4754	6341	7924	9508	---	---	---
130 (54.4)		2726	3636	4545	5453	---	---	---
110 (43.3)		1590	2122	2652	3181	---	---	---

BTU/hr with 65°F (18.3°C) entering air and 1 GPM flow rate

