



Energy  
**SAVERS**  
LOW-H<sub>2</sub>O

GUARANTEE  
**30**  
YEAR  
FIM TUBE ELEMENT

**jaga**

## MINI CANAL

Warm power  
with minimum recess depth

[WWW.JAGA-USA.COM](http://WWW.JAGA-USA.COM)  
[WWW.JAGA-CANADA.COM](http://WWW.JAGA-CANADA.COM)





**MINI CANAL**  
Underfloor unit



## WARM POWER, MINIMUM RECESS DEPTH

Minimum recess depth, maximum heat. Mini Canal starts at 3.5" (9 cm). That is why it is the perfect solution for multiple storeys or raised floors. Mini Canal is a pre-assembled trench heater. Hidden behind the grille is an ultra fast Low-H<sub>2</sub>O element. An ideal complement to in-floor heating systems, but powerful enough to serve as a primary heat source. Mini Canal is available in lengths from 43" (110 cm) to 193" (490 cm).

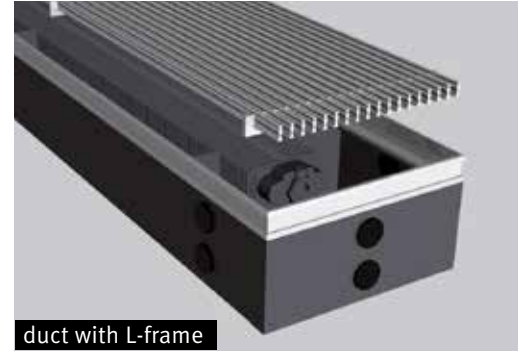
### DIMENSIONS

### OUTPUT (BTU/foot)

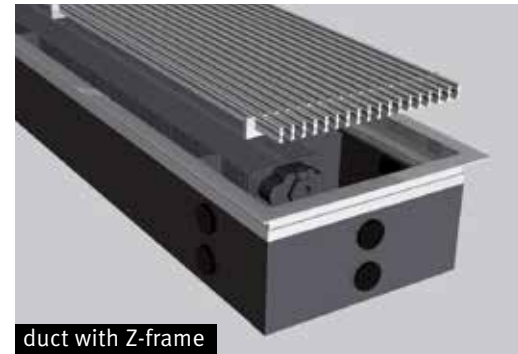
| H                                       | Type | d         | h         | D            | Designo roll-up wooden grille | Designo rigid aluminum grille | Accordion roll-up aluminum grille | Pebbles rigid aluminum grille |
|---|------|-----------|-----------|--------------|-------------------------------|-------------------------------|-----------------------------------|-------------------------------|
| 3 <sup>35</sup> / <sub>64</sub><br>(9)  | 04   | 2<br>(5)  | 2<br>(5)  | 5.5<br>(14)  | 198                           | 207                           | 160                               | ---                           |
|   | 09   | 4<br>(10) | 2<br>(5)  | 7<br>(18)    | 235                           | 245                           | 189                               | ---                           |
|   | 09   | 4<br>(10) | 2<br>(5)  | 10<br>(26)   | 309                           | 322                           | 249                               | 282                           |
|   | 14   | 6<br>(15) | 2<br>(5)  | 13.5<br>(34) | 400                           | 417                           | 323                               | 366                           |
|   | 19   | 8<br>(20) | 2<br>(5)  | 16.5<br>(42) | 578                           | 603                           | 466                               | 528                           |
| 4 <sup>21</sup> / <sub>64</sub><br>(11) | 04   | 2<br>(5)  | 2<br>(5)  | 5.5<br>(14)  | 227                           | 237                           | 183                               | ---                           |
|   | 09   | 4<br>(10) | 2<br>(5)  | 7<br>(18)    | 269                           | 281                           | 217                               | ---                           |
|   | 09   | 4<br>(10) | 2<br>(5)  | 10<br>(26)   | 364                           | 379                           | 293                               | 332                           |
|   | 14   | 6<br>(15) | 2<br>(5)  | 13.5<br>(34) | 472                           | 493                           | 381                               | 432                           |
|   | 19   | 8<br>(20) | 2<br>(5)  | 16.5<br>(42) | 664                           | 692                           | 536                               | 607                           |
| 5 <sup>33</sup> / <sub>64</sub><br>(14) | 05   | 2<br>(5)  | 4<br>(10) | 5.5<br>(14)  | 258                           | 269                           | 208                               | ---                           |
|   | 10   | 4<br>(10) | 4<br>(10) | 10<br>(26)   | 448                           | 468                           | 362                               | 410                           |
|   | 15   | 6<br>(15) | 4<br>(10) | 13.5<br>(34) | 611                           | 637                           | 493                               | 558                           |
|   | 20   | 8<br>(20) | 4<br>(10) | 16.5<br>(42) | 824                           | 859                           | 665                               | 753                           |
| 7 <sup>31</sup> / <sub>64</sub><br>(19) | 10   | 4<br>(10) | 4<br>(10) | 10<br>(26)   | 509                           | 531                           | 411                               | 466                           |
|   | 15   | 6<br>(15) | 4<br>(10) | 13.5<br>(34) | 689                           | 719                           | 556                               | 630                           |
|   | 20   | 8<br>(20) | 4<br>(10) | 16.5<br>(42) | 947                           | 988                           | 763                               | 865                           |

Note: dimensions in "( ) " are shown in centimeters.

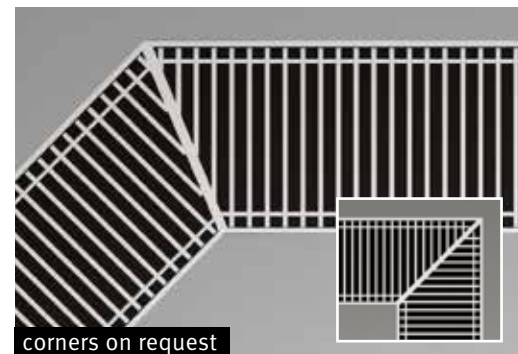
Average output in BTU/h foot with 65°F (18.3°C) entering air and 1 GPM flow rate. Mean water temperature of 160°F (71.1°C).



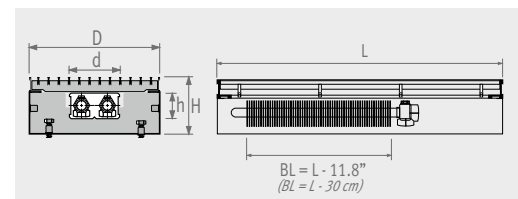
duct with L-frame



duct with Z-frame



corners on request

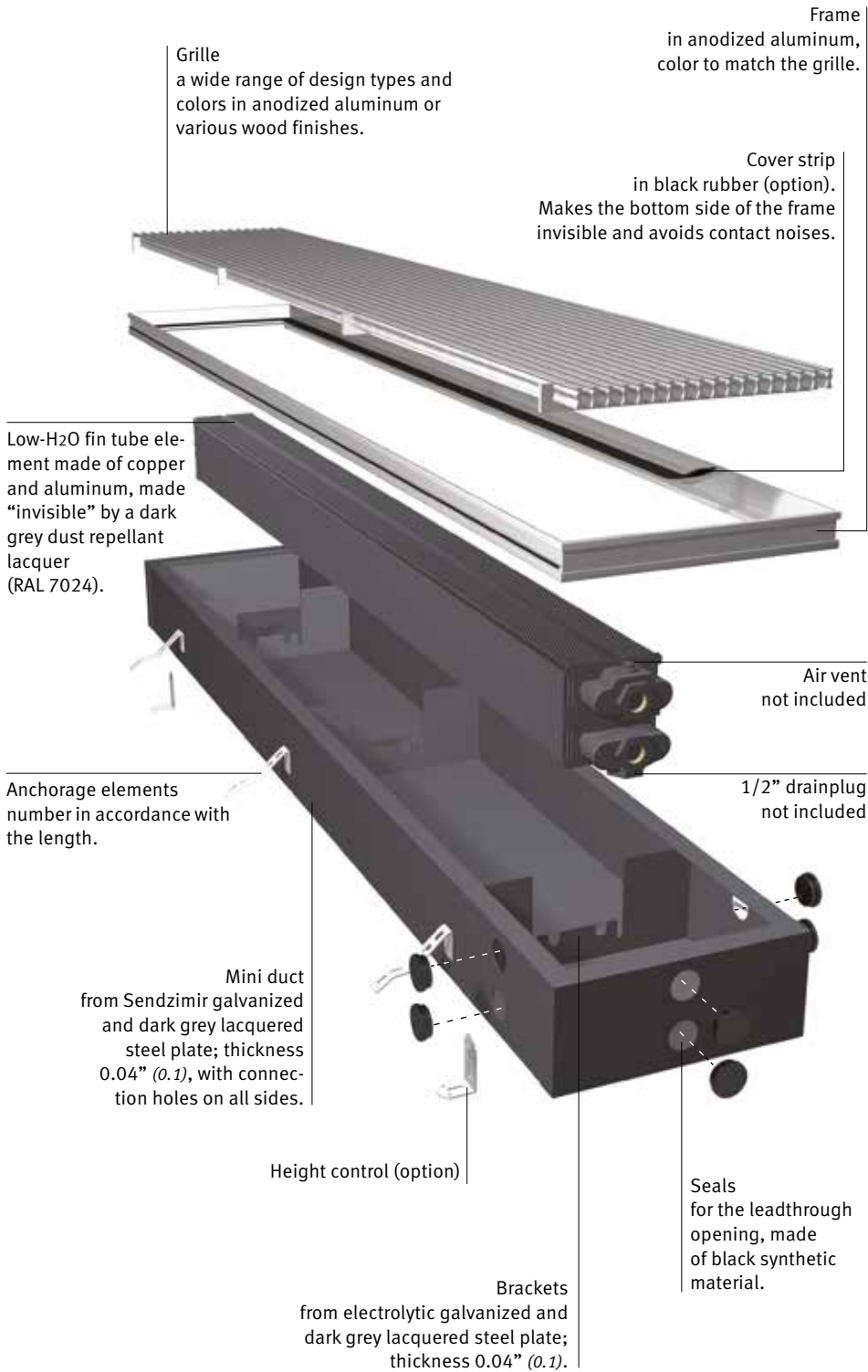


### Example output calculation

Output of Mini Canal H 14 - D 34 - L 290 with a Designo rigid aluminum grille

$$637 \text{ BTU/h} \times \frac{(114.2 - 11.8)}{12} = 5436 \text{ BTU/h}$$

# MINI CANAL COMPOSITION



# THE MOST POWERFUL HEAT EMITTERS



## Significant energy savings

The most efficient and modern fin tube element, that complies with actual AND future building standards and technologies.

## For all low temperature hydronic systems

Perfectly suited for condensing boilers, heat pumps and solar systems.

**The perfect partner for radiant heating** for improved temperature control and energy efficiency.

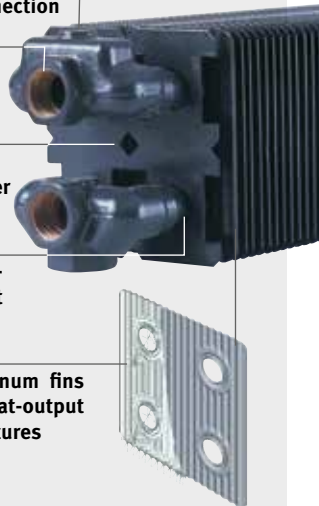
1/8" NPTF airvent connection

Brass collectors with 1/2" NPTF connections

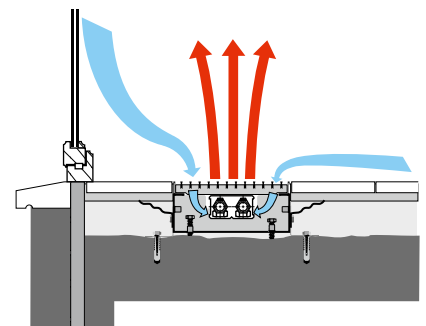
With dirt-repellent and dust-proof lacquer in graphite grey

Up to 16 parallel copper tubes for the best heat emission

55 Corrugated aluminum fins per foot for super heat-output at low water temperatures



## OPERATING PRINCIPLE



# OVERVIEW GRILLES

## DESIGNO ROLL-UP WOODEN GRILLES

Merbau natural **DMN** Oak natural **DON** Beech natural **DBN**  
 Designo Merbau Natural Designo Oak Natural Designo Beech Natural



Roll-up natural or varnished grille with natural color anodized aluminum distance pieces. Frame in natural colored anodized aluminum. Free air flow 52%.

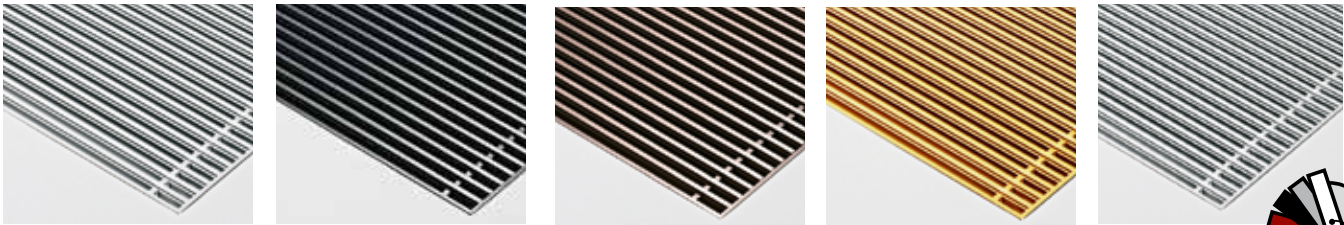
Roll-up grilles are not intended for regular foot traffic in commercial applications.

Merbau varnished **DMV** Oak varnished **DOV** Beech varnished **DBV**  
 Designo Merbau Varnished Designo Oak Varnished Designo Beech Varnished



## DESIGNO RIGID ALUMINUM GRILLES - (6MM 0,25" HEEL PROOF)

Natural colored **ENA** Black **EBL** Dark brown **EDB** Brass colored **EBR** Painted **COLOR/ENC**  
 Natural (6mm 0,25" heel proof) Black (6mm 0,25" heel proof) Dark Brown (6mm 0,25" heel proof) BRass (6mm 0,25" heel proof) Natural Color (6mm 0,25" heel proof)



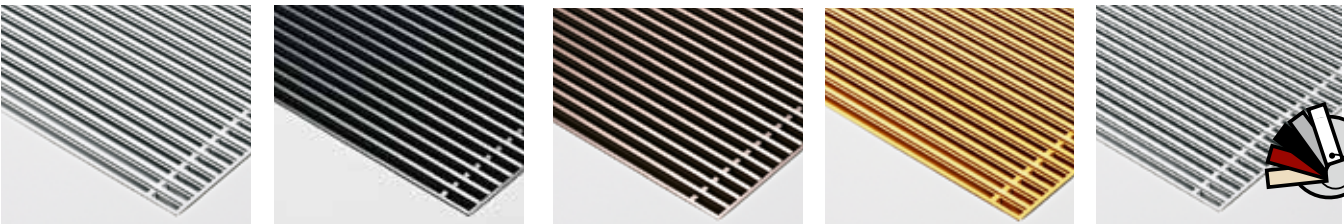
Rigid anodized aluminum grille. Frame in the same color.



32 colors

## DESIGNO RIGID ALUMINUM GRILLES

Natural colored **DNA** Black **DBL** Dark brown **ddb** Brass colored **DBR** Painted **COLOR/DNC**  
 Natural Black Dark Brown Brass Natural Color



Rigid anodized aluminum grille. Frame in the same color.



32 colors