



jaga

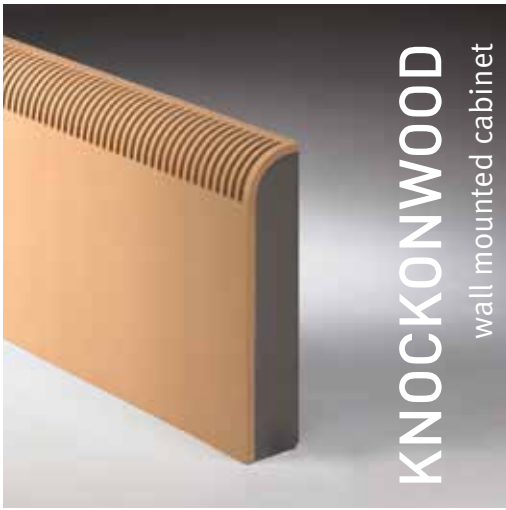
Energy
SAVERS
LOW-H₂O



KNOCKONWOOD
The most powerful heat emitters for
condensing boilers and heat pumps

WWW.JAGA-USA.COM
WWW.JAGA-CANADA.COM





KNOCKONWOOD
wall mounted cabinet



WARM POWER, NOBLE WOOD

Surprising, innovative, confronting. Knockonwood is the very first radiator made of wood. The beautifully designed simple yet elegant cabinet has been finished with the noblest veneer. Durable wood that curves gracefully along the wall. Knockonwood's warm power is emitted from its Low-H₂O core, which guarantees energy savings and a great performance. Available in 9 different types of wood.

OUTPUT

Type	d	h	D	H 12 (30)	21 1/2 (55)	31 1/2 (80)
06	3 (8)	8 (20)	4 1/4 (10.8)	780	1039	1208
10	4 (10)	4 (10)	5 3/64 (12.8)	849	1235	1451
11	4 (10)	8 (20)	5 3/64 (12.8)	970	1350	1586
15	6 (15)	4 (10)	7 1/64 (17.8)	1293	1872	2171
16	6 (15)	8 (20)	7 1/64 (17.8)	1414	1998	2418

Average output in BTU/h foot with 65°F (18.3°C) entering air and 1 GPM flow rate. Mean water temperature of 160°F (71.1°C).

WOOD FINISHES

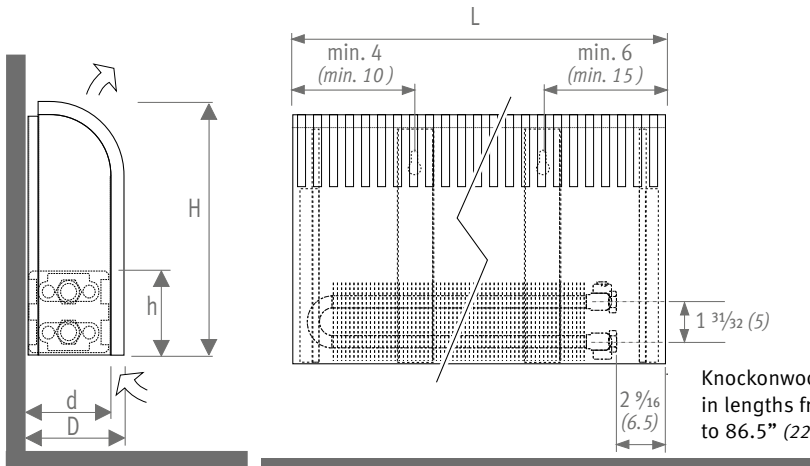


Knockonwood is available from stock in oak natural (standard color) and zebrano (optional color) in:

- height 21.6" (55cm)
- length 23.6" - 55" (60 - 140cm)

We offer other dimensions and wood types of Knockonwood per minimum of 10 pieces per color and dimension.

DIMENSIONS



Knockonwood is available in lengths from 23.5" (60) to 86.5" (220).

Note: dimensions in "()" are shown in centimeters.

THE MOST POWERFUL HEAT EMITTERS



Significant energy savings

The most efficient and modern fin tube element, that complies with actual AND future building standards and technologies.

For all low temperature hydronic systems

Perfectly suited for condensing boilers, heat pumps and solar systems.

The perfect partner for radiant heating

for improved temperature control and energy efficiency.

1/8" NPTF airvent connection

Brass collectors with 1/2" NPTF connections

With dirt-repellent and dust-proof lacquer in graphite grey

Up to 16 parallel copper tubes for the best heat emission

55 Corrugated aluminum fins per foot for super heat-output at low water temperatures

