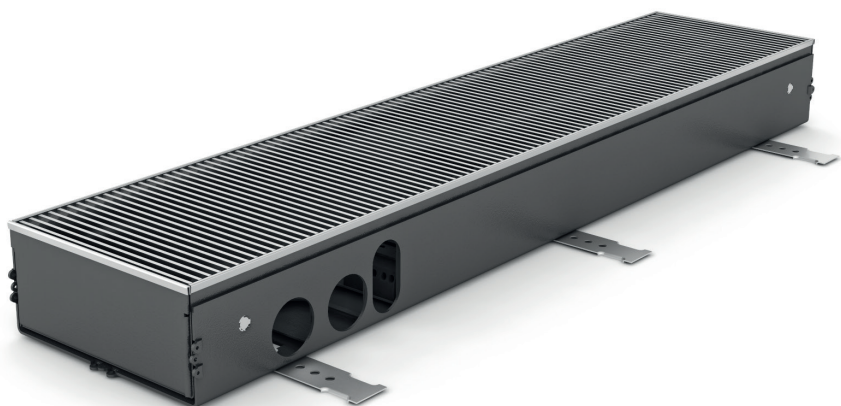


jaga

CLIMATE DESIGNERS

MICRO CANAL

MANUAL



CEO JAGA N.V.



JAGA N.V. - Verbindingslaan 16 - B 3590, verklaart hierbij op eigen exclusieve verantwoordelijkheid dat het product waarop deze betrekking heeft:

Conform is met de normen of andere documenten op voorwaarde dat ze worden gebruikt overeenkomstig onze instructies: **NBN EN 60335-1 based on EN 60335-1:2002 + A11:2004 + A1:2004 + A12:2006 + A2:2006 + A13:2008 + A14:2010 + A15:2011 / NBN EN 60335-2-80 based on EN 60335-2-80:2003 + A1:2004 + A2:2009**

Overeenkomstig de bepalingen van de Richtlijnen:

- Low Voltage 2014/35/EC
- EMC 2014/30/EC
- Machinery 2006/42/EC
- RoHS 2011/65/EU



CONTENT

1. PRODUCT DESCRIPTION.....	4
1.1. OVERVIEW OF THE DIFFERENT PARTS.....	4
2. TECHNICAL DATA.....	5
2.1. DIMENSIONS OF THE INNER TRENCH.....	5
2.2. DIMENSIONS OF THE OUTER TRENCH.....	5
2.3. HEIGHT ADJUSTMENT.....	5
2.4. OPTION: ADJUSTABLE RAISED FLOOR PEDESTALS.....	5
2.5. MAX CABLE LENGTH - 24 VDC ELECTRICAL CONNECTION.....	6
3. INSTALLATION.....	7



Important info

The unit must be installed by a certified installer in accordance with the installation instructions and the local building codes. Please follow this instruction manual and file it somewhere safe! The unit must always be accessible for maintenance and inspection..

This appliance can be used by children aged from 8 years and above and persons with reduced physical, sensory or mental capabilities or lack of experience and knowledge if they have been given supervision or instruction concerning use of the appliance in a safe way and understand the hazards involved.

Children shall not play with the appliance.

Cleaning and user maintenance shall not be made by children without supervision.

The warranty is void when:

- The installation, maintenance or operation instructions in this manual are not respected.
- The initial start-up has been carried out before a general cleaning of both the fan and the coil.
- Modifications have been made to the product, before, during or after product installation.
- Maintenance has been carried out by unauthorized people.
- Access to the unit has been restricted due to on-site conditions.

This device is covered by the general warranty conditions of Jaga NV. Jaga N.V. can therefore never be held liable for any consequential damage.

For general safety information see: <https://jaga.com/ex/provisions/>

1. PRODUCT DESCRIPTION

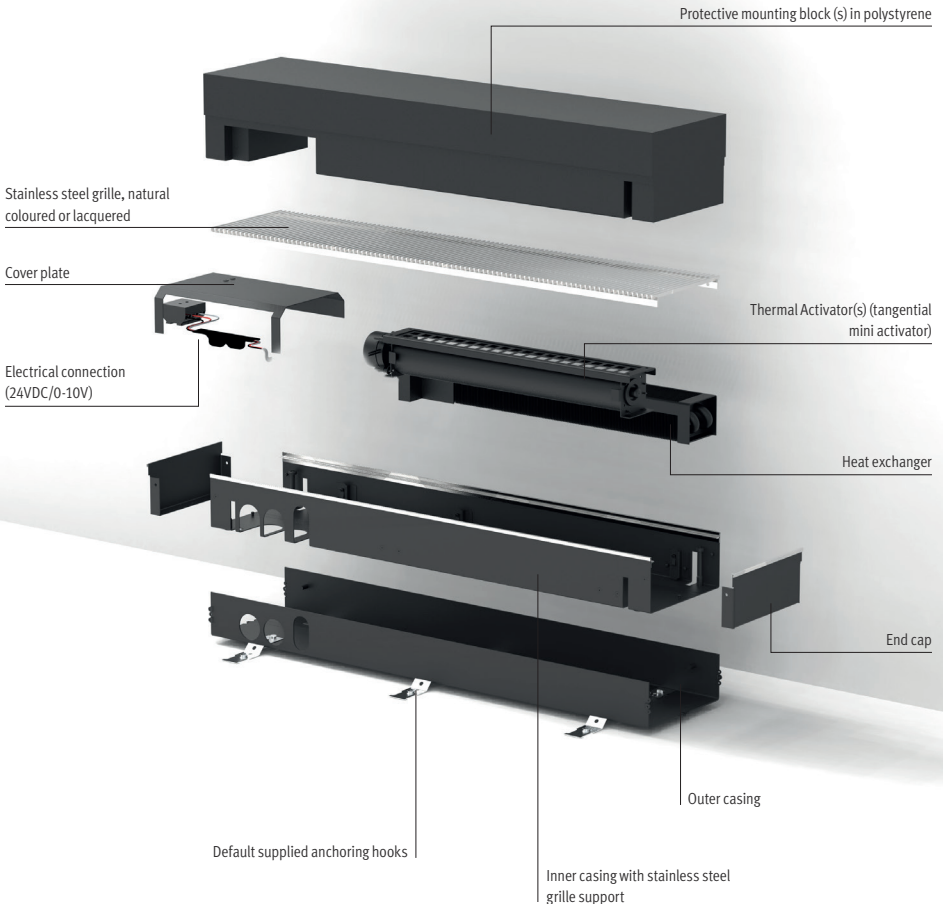
The Micro Canal is only 2 $\frac{3}{16}$ inch in height and 5 $\frac{1}{8}$ inch in width. It is fitted with small but powerful dynamic coils and quiet fans with EC-motors. Micro Canal combines minimalistic aesthetics and architectural freedom with an unprecedented heat output. Micro Canal can be integrated into any interior. By making use of the latest EC-motors, the Micro canals use 50% less power.

Operational limits:

Installation that does not comply with the specified operational limits relieves Jaga NV from discharge liabilities with regard to damage to objects and persons.

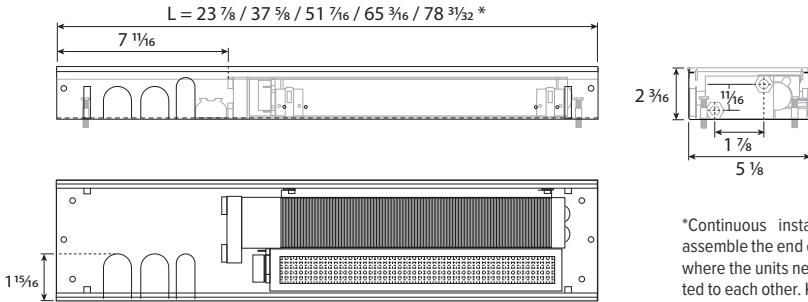
- Max. water temperature: 90°C
- Maximum coil pressure: 20 bar.
- supply voltage: 24 VDC \pm 10 % / 0..10VAC

1.1. OVERVIEW OF THE DIFFERENT PARTS



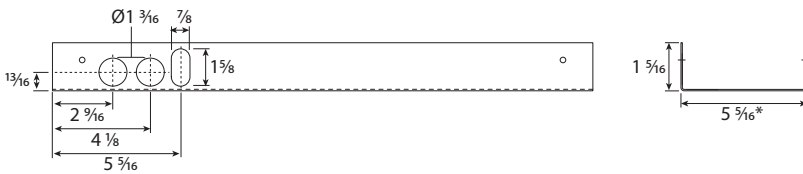
2. TECHNICAL DATA

2.1. DIMENSIONS OF THE INNER TRENCH



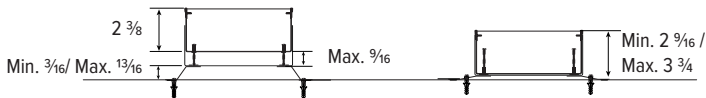
*Continuous installation: Do not assemble the end caps on the sides where the units need to be connected to each other. Keep in mind that the units are 1/8 inch shorter without the end caps.

2.2. DIMENSIONS OF THE OUTER TRENCH

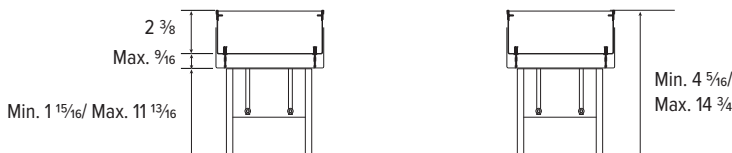


*Installation opening: +3/16 inch

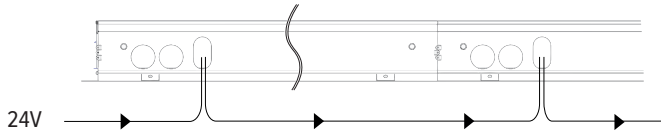
2.3. HEIGHT ADJUSTMENT



2.4. OPTION: ADJUSTABLE RAISED FLOOR PEDESTALS

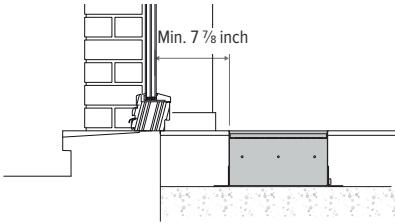


2.5. MAX CABLE LENGTH - 24 VDC ELECTRICAL CONNECTION

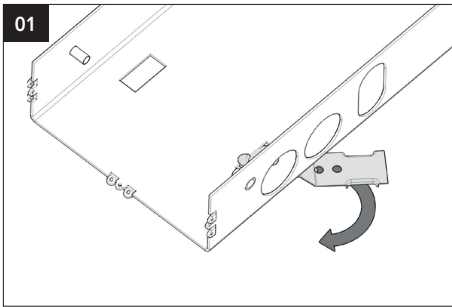


DISTANCE FROM POWER SUPPLY IN FT →		30	60	100	130	160	200	230	260	300	330
		↓ NUMBER OF MICRO CANALS ↓									
MICRO CANAL L060	17 AWG	28	14	9	7	5	4	3			
	16 AWG	43	21	14	11	8	7	6	5	4	
	14 AWG	70	36	24	18	14	11	10	9	8	7
MICRO CANAL L095	17 AWG	20	10	6	5	4	3	2			
	16 AWG	31	15	9	7	5		4		3	
	14 AWG	50	25	17	10		8	7	6	5	
MICRO CANAL L130	17 AWG	19	9	6	4	3		2			
	16 AWG	29	14	9	7	5	4	3			
	14 AWG	47	23	16	11	9	7	6		5	4
MICRO CANAL L165	17 AWG	10	5	3	2		1				
	16 AWG	14	7	5	3	2			1		
	14 AWG	23	12	8	6	5	4	3		2	
MICRO CANAL L200	17 AWG	9	4	3	2	1					
	16 AWG	14	6	4	3	2		1			
	14 AWG	23	12	8	6	4		3		2	

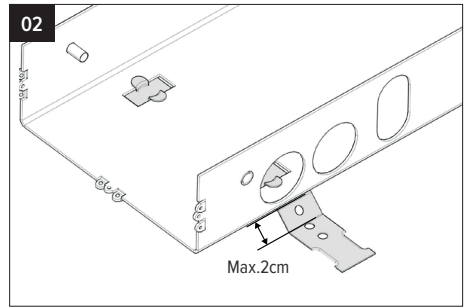
3. INSTALLATION



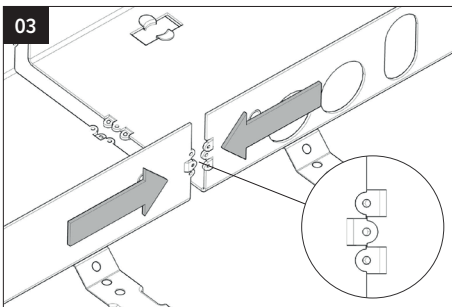
- ⚠ When installing the trench fancoil in front of a window, make sure to allow sufficient space for curtains. The curtain should never cover the grill of the trench fancoil unit.
- ⚠ Install the device with the coil facing the wall or window.!



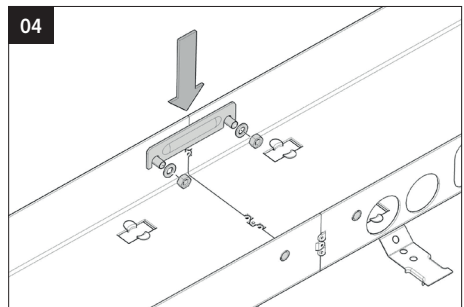
01 Place the height adjusters under the unit's outer casing.

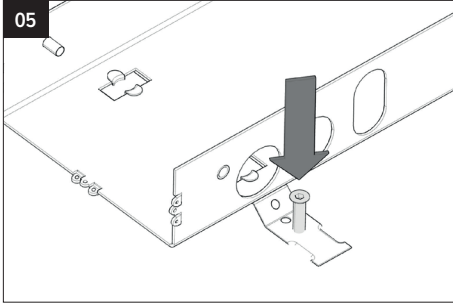


02 Bend the height adjusters (max.2cm).



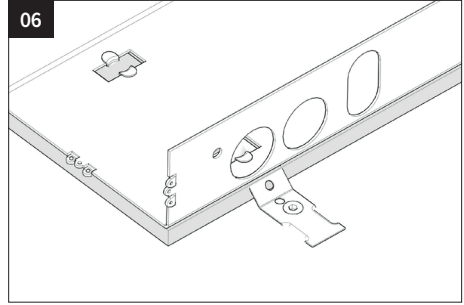
03 only for continuity: Make sure that the units are positioned correctly and that the casings fit tightly. Use the supplied connecting pieces to connect the different units.



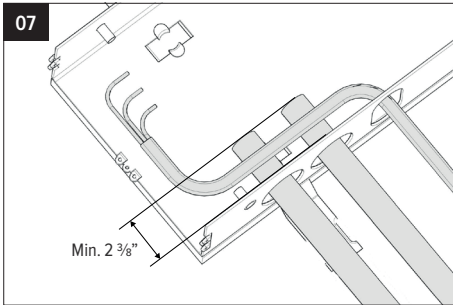


05 Mark the drill holes. Drill the holes and place the plugs. Fix the device to the floor with the height adjusters.

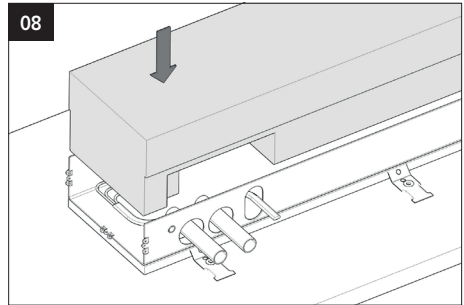
⚠ Use the correct plug for your floor type!



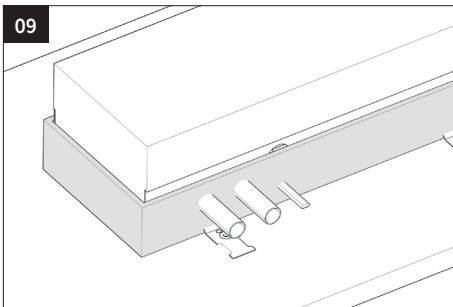
06 If the device is not mounted directly on the floor, the space under the device must be filled..



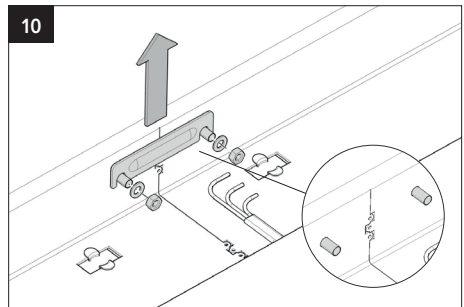
07 Place the supply and return pipes and the electricity cable. These must stick out a minimum of 2 3/8" in the casing.



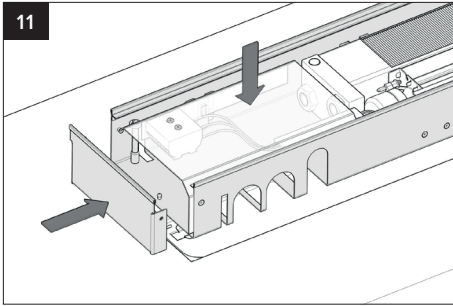
08 Place the protective block.



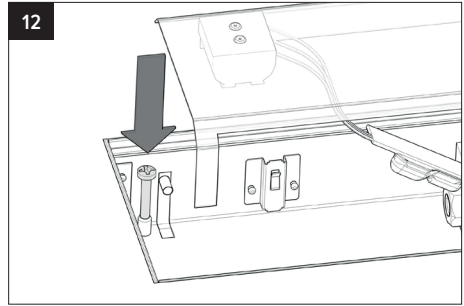
09 If screed is used the device needs to be completely insulated in order to protect the device from voltage differences.



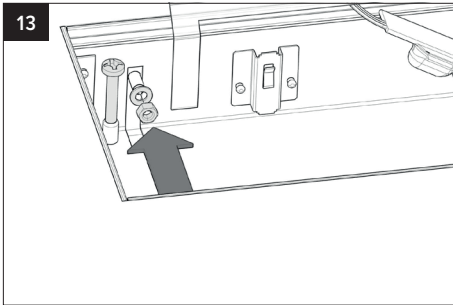
10 Remove the protective block and the connecting pieces.



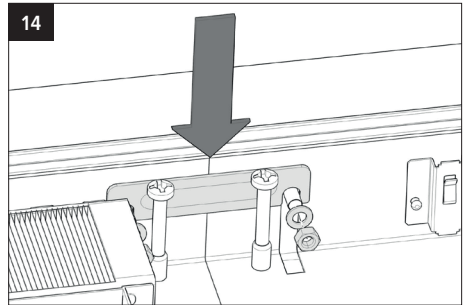
Fit the final finish and place the inner casing in the outer casing.



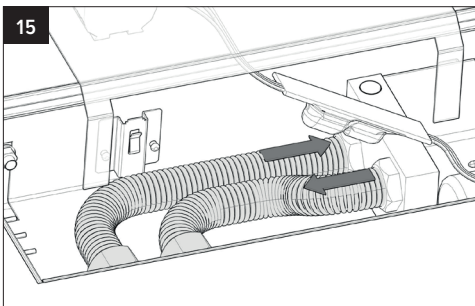
Use the control screws to adjust the unit to the desired height.. Place the device on finished floor height.





Anchoring of the inner housing after fine adjustment.




Only for continuity: use the supplied connecting pieces to connect the different units.



Connect the flexibles to the coil's supply and return connections. Flexibles supplied by others.

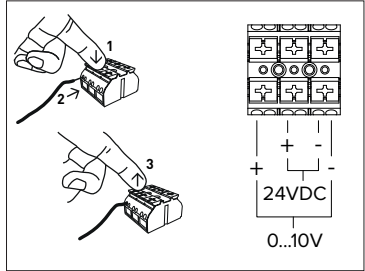
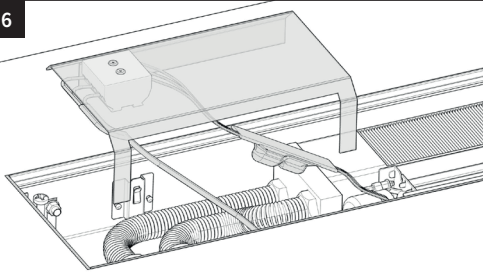



Remove plug at hydronic connection.




Use a back wrench when fastening the hydronic connections

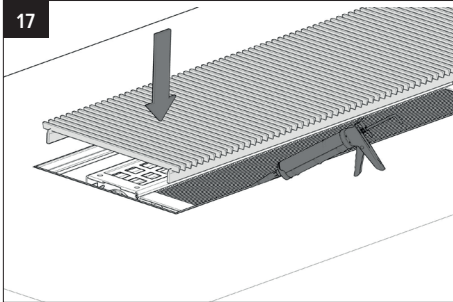
16



[+] and [-] need to be connected to the unit's electrical connection.

 Always use the main switch to disconnect the power to the fan!

17



Place the grille and put the finishing touches.

Jaga Canada Climate Systems
www.jaga-canada.com

oktober 25, 2024 11:25 a.m. - Jaga Inc.